

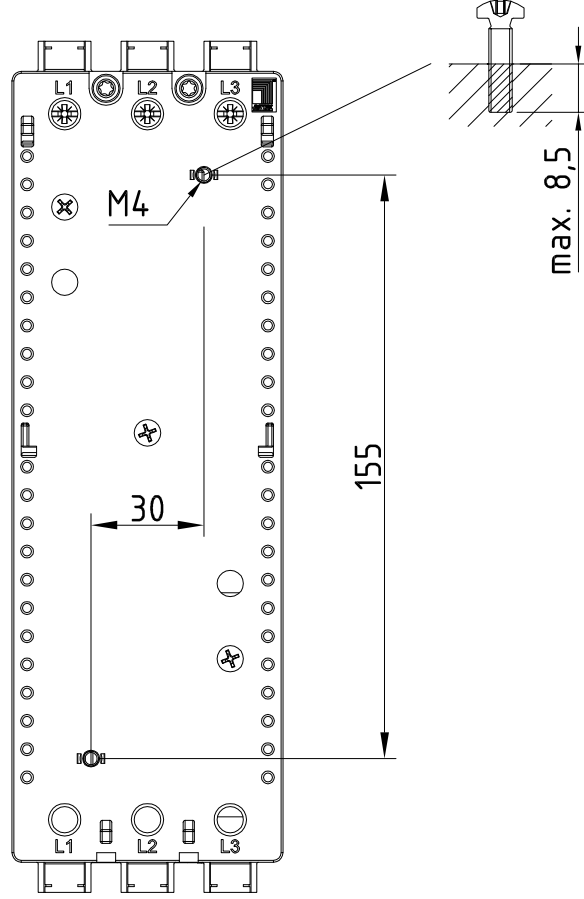


SV  
9342.400  
9342.410



Raum für Verpackungsdatum  
Area for date of packing  
(MMJJTT / MMYDD)

	16 - 35 mm <sup>2</sup> (Cu) 3 Nm	10 - 25 mm <sup>2</sup> (Cu) 3 Nm	6 x 9 x 0,8 (Cu) 3 Nm
IEC			
UL	AWG 6 - 2 75 °C copper 44 lb-in		
	12 - 18 mm		



1 SV CB-Geräteadapter 100A

60 mm Schienenmittenabstand

1 SV Circuit-breaker component adaptor 100A

60 mm busbar centre distance

1 SV Adaptateurs de disjoncteurs 100A

60 mm d'écartement entre les axes des barres

Suitable for use on a circuit capable of delivering not more than 50 kA SCCR symmetrical amperes, 600 volts maximum.

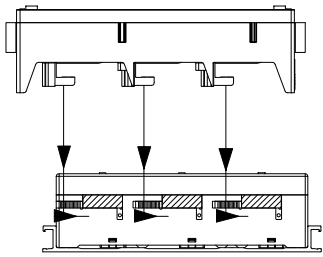
When protected by a combination motor controller (UL category NKJH) rated up to 100A, having an interrupting rating not less than 50 kA symmetrical amperes, 600 volts maximum.

Zchg.-Nr. / No. of dwg. : A3981202SV  
Versandbeutel-Nr. / No. of accessory bag : -

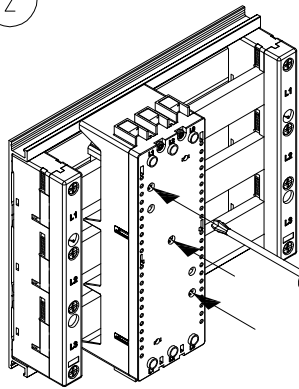
Lieferanten-Nr. / No. of supplier :

For further information: [www.rittal.com](http://www.rittal.com)

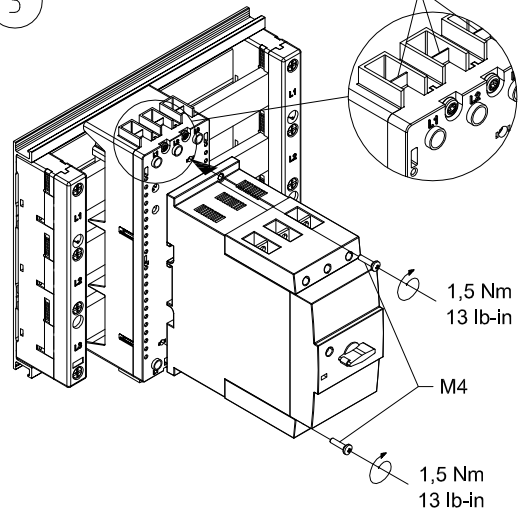
1



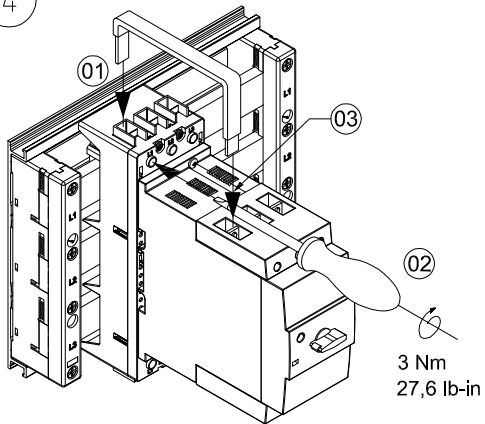
2



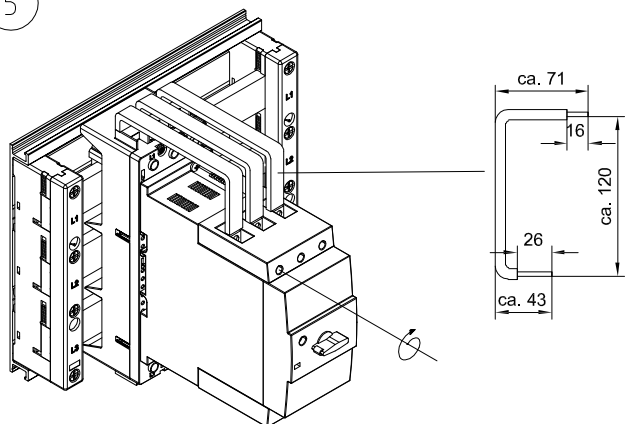
3



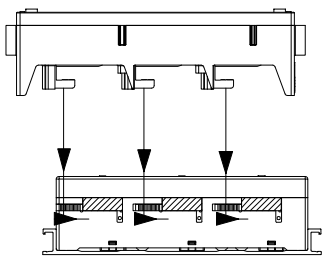
4



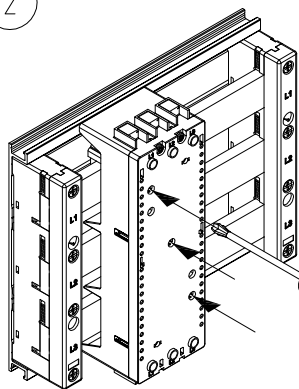
5



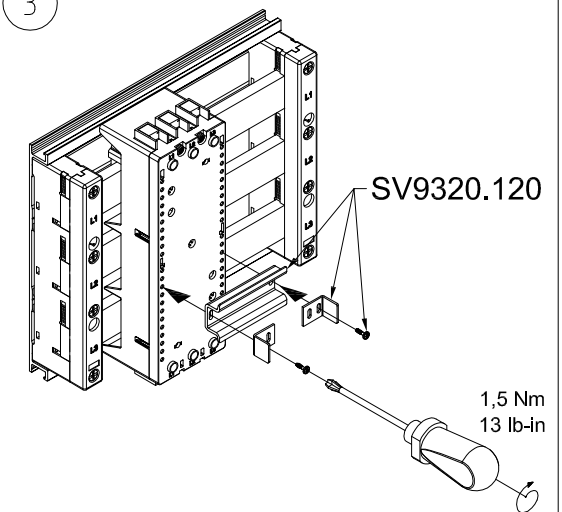
1



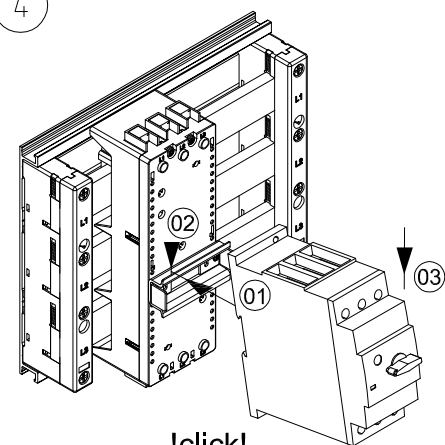
2



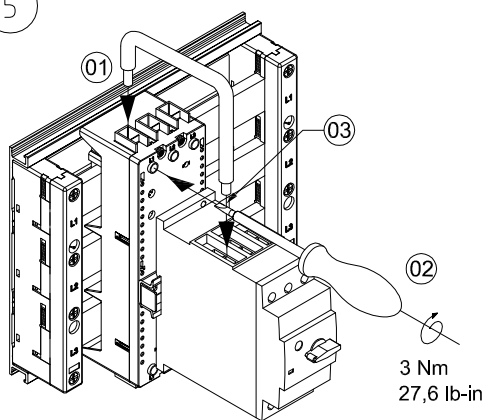
3



4



5



6

