
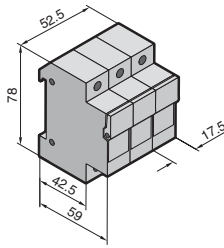
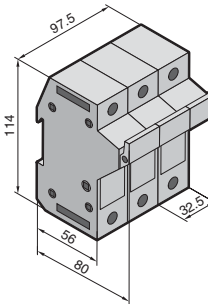
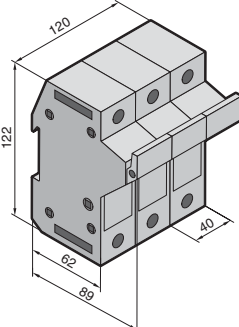





Fuse holders

Rated operating current max. 30 – 60 A

Version		3-pole, for top-hat rail mounting to EN 60 715		
For use of fuses – SV 9345.000: Class CC (UL 4248-4) – SV 9345.010/.030: Class J (UL 4248-8) Note: SV 9345.010 – May also be used for cylindrical fuses 22 x 58 mm to French standards without UL licensing Approvals:  E235931 Standards: UL 512, C 22.2 No. 39				
Fuse type (class)		CC	J	J
Rated operating current max.		30 A	30 A	60 A
Rated operating voltage		600 V AC	600 V AC	600 V AC
Fuse size mm		10 x 38	21 x 57	27 x 60
Switching capacity RMS Sym. Rating		200 kA	200 kA	200 kA
Min. voltage, indicator light		115 V AC/115 V DC	115 V AC/115 V DC	115 V AC/115 V DC
Contact hazard protection		IP 20 ¹⁾	IP 20 ¹⁾	IP 20 ¹⁾
Model No. SV		9345.000 	9345.010 	9345.030 
Assembly data for applications to UL				
Tightening torque – Terminal screw		2 Nm 14.75 in-lbs solid/stranded Cu	4 Nm 35 in-lbs solid/stranded Cu	5 Nm 45 in-lbs solid/stranded Cu
Conductor connection	AWG	6 – 14	2 – 14	2 – 14
	mm ²	2.5 – 10	2.5 – 25	2.5 – 25


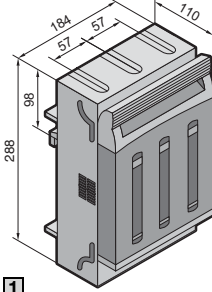
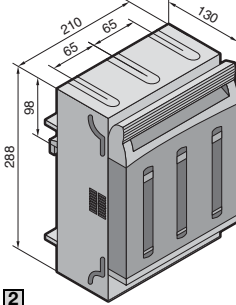
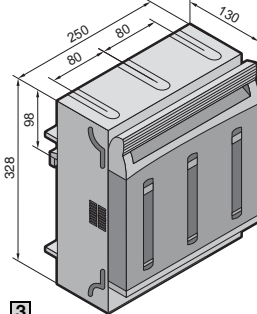
¹⁾ In the operating area




Power distribution

RiLine fuse elements

Fuse holders

Rated operating current max. 100 – 400 A

Version	3-pole, for 60 mm bar systems		
For use of J-Class fuses to UL 4248-8 Approvals:  E235931 Standards: UL 4248-1/UL 4248-8 CSA C22.2 No. 4248.107 CSA C22.2 No. 4248.8-07	 <p>1</p>  <p>2</p>  <p>3</p>		

Version	1	2	3
Rated operating current max.	61 – 100 A	101 – 200 A	201 – 400 A
Rated operating voltage	600 V AC	600 V AC	600 V AC
Fuse size mm	29 x 118	41 x 146	54 x 181
Contact hazard protection	IP 10	IP 10	IP 10
Model No. SV	9345.100 	9345.200 	9345.400 

Assembly data for applications to UL

Tightening torque Nm			
– Bar attachment	6	8	8
– Terminal screw	12	20	20
Type of connection	Box terminal	Box terminal	Box terminal
Conductor connection	AWG 2 – MCM 300	AWG 4/0 – MCM 600	AWG 4/0 – MCM 600

Material specifications

Contact track: E-Cu, silver-plated	■	■	■
Terminal: Cast brass, nickel-plated	■	■	■