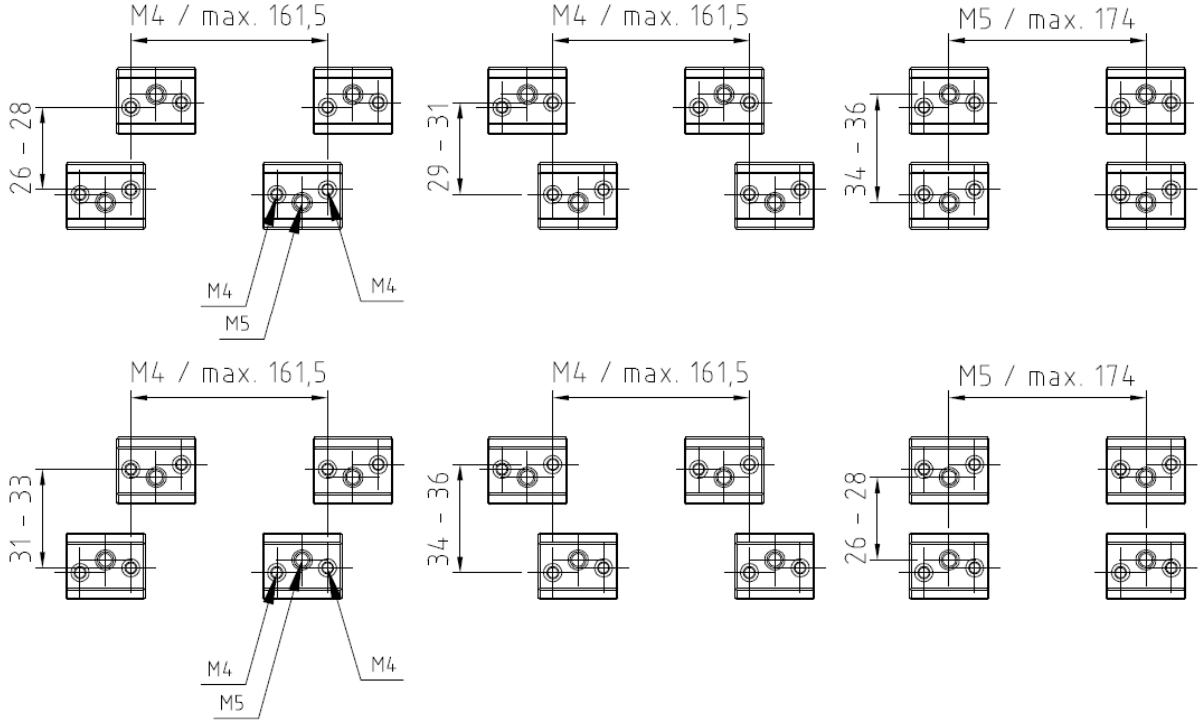




SV9345.600
SV9345.610

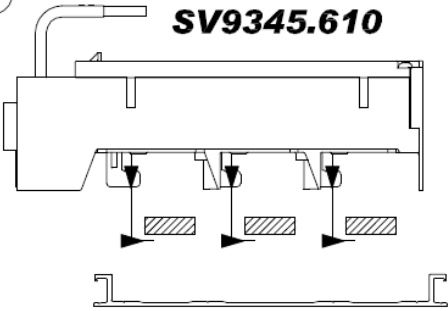


1 SV CB-Adapter 250A 60mm Schienenmittenabstand	Zchng.-Nr./No. of dwg: A4558300SV73 Versandbeutel-Nr./No. of accessory bag:	Lieferanten-Nr./No. of supplier: 6017320
1 SV CB-Adaptor 250A 60mm busbar centre distance		
1 CB-Adaptateur SV 250A 60mm d'écartement entre les axes des barres		
<p>Suitable for use on a circuit capable of delivering not more than 50 kA SCCR symmetrical amperes, 600 volts maximum.</p> <p>When protected by a circuit Breaker having an interrupting rating not less than 50 kA SCCR symmetrical amperes, 600 volts maximum.</p>		

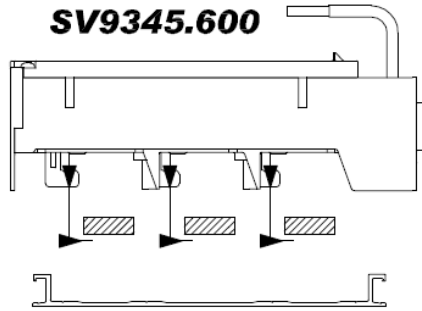


1

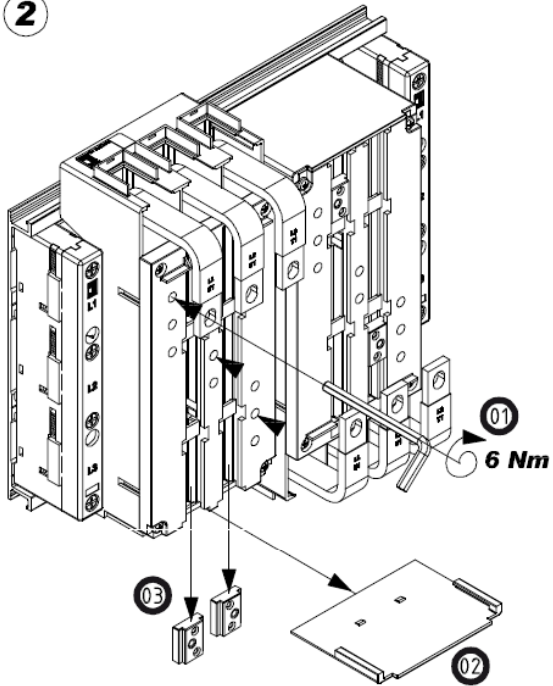
SV9345.610



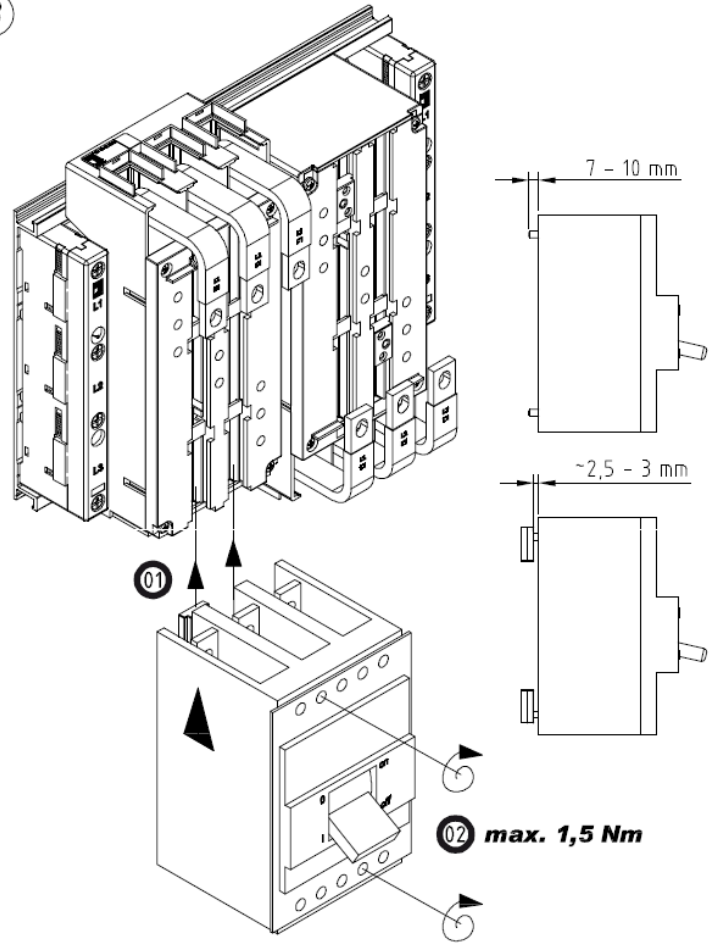
SV9345.600



2



3



4

