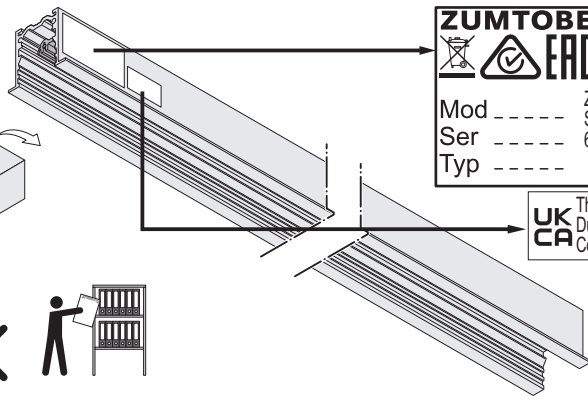
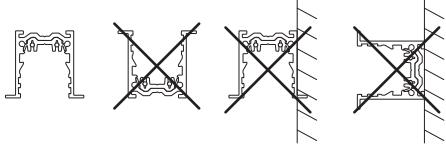


60210805 SUP2 TRACK U SF 2M WH  
 60210807 SUP2 TRACK U SF 4M WH  
 60210808 SUP2 TRACK U SF 2M BK  
 60210810 SUP2 TRACK U SF 4M BK



**ZUMTOBEL**  
 EAC CE III  
 Mod ----- Zumtobel Lighting GmbH  
 Ser ----- Schweizerstrasse 30  
 Typ ----- 6850 Dornbirn Austria  
 48V max. 6.5A

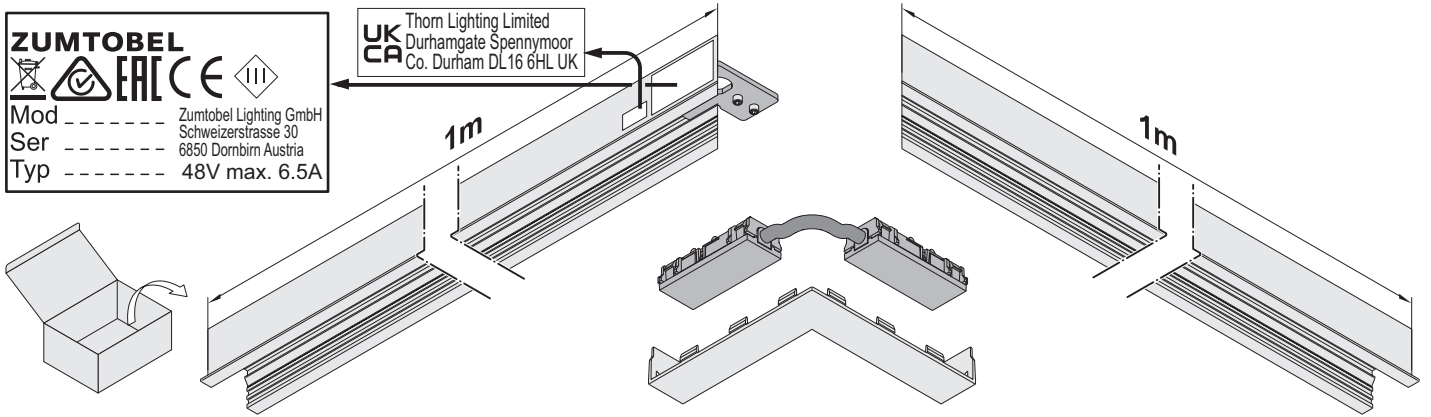
**UK CA** Thorn Lighting Limited  
 Durhamgate Spennymoor  
 Co. Durham DL16 6HL UK

This class III (EU) track system (Class II in US) is not compatible with any track systems of other manufacturers!  
 Contact US- manufacturer for more details: [www.zumtobel.us](http://www.zumtobel.us)

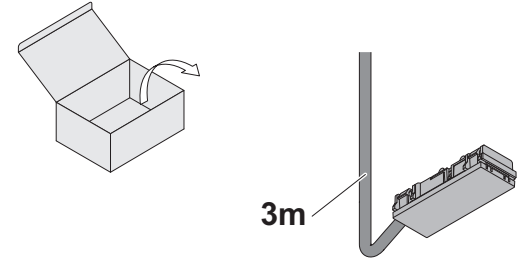
60210817 SUP2 TRACK U SF ELEC CON-H 48V 90° WH  
 60210818 SUP2 TRACK U SF ELEC CON-H 48V 90° BK

**ZUMTOBEL**  
 EAC CE III  
 Mod ----- Zumtobel Lighting GmbH  
 Ser ----- Schweizerstrasse 30  
 Typ ----- 6850 Dornbirn Austria  
 48V max. 6.5A

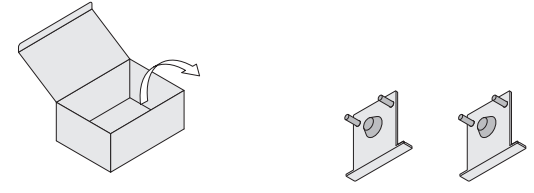
**UK CA** Thorn Lighting Limited  
 Durhamgate Spennymoor  
 Co. Durham DL16 6HL UK



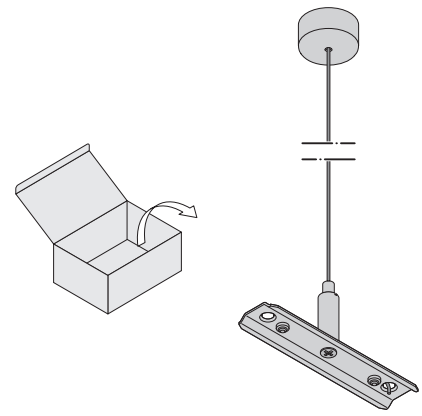
22169736 SUP2 ELECTRICAL FEED-IN CON 48V WH  
 22169737 SUP2 ELECTRICAL FEED-IN CON 48V BK



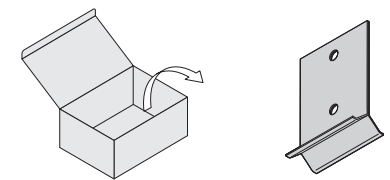
60210825 SUP2 TRACK U SF END PLATE WH  
 60210826 SUP2 TRACK U SF END PLATE BK



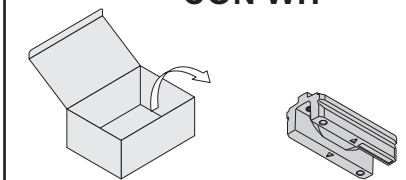
22169690 SUP2 TRACK U SUSPENSION KIT



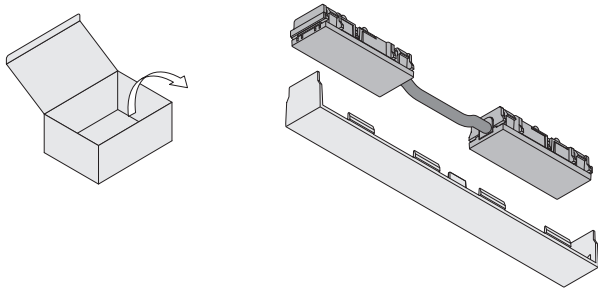
60210850 SUP2 MOUNTING PLATE ANGLE TRACK SF/TL



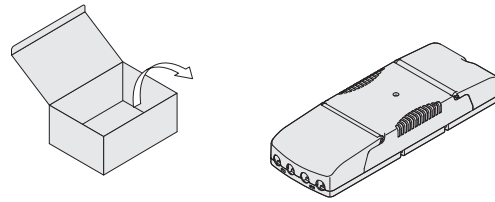
22169693 SUP2 TRACK U MECHANICAL CON BK  
 22169794 SUP2 TRACK U MECHANICAL CON WH



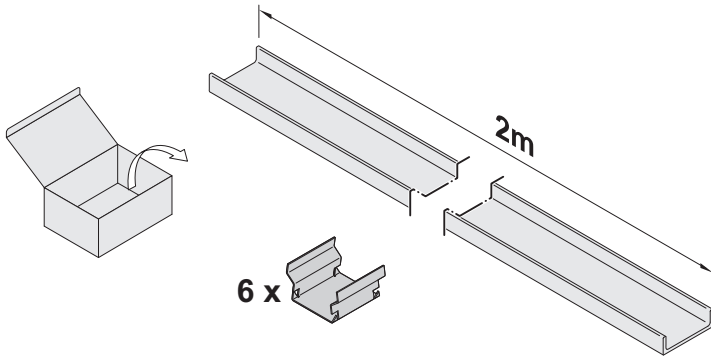
**22169694**  
**SUP2 TRACK ELECTRICAL CON 48V WH**  
**22169695**  
**SUP2 TRACK ELECTRICAL CON 48V BK**



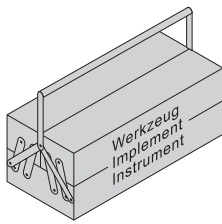
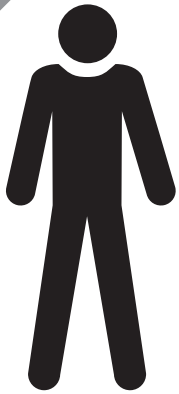
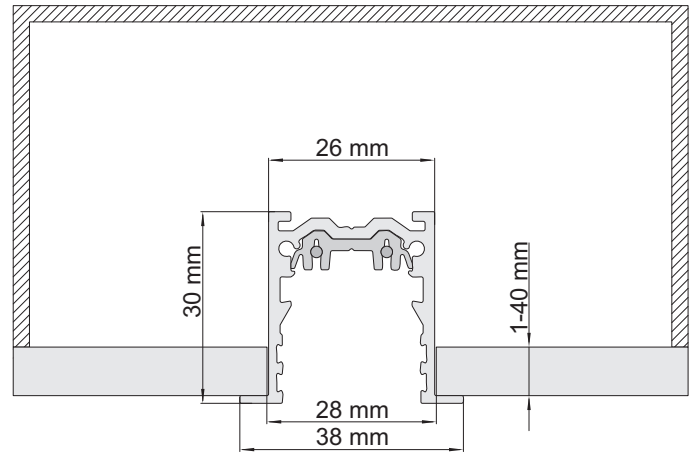
**22169732**  
**SUP2 DRIVER 150W AC/DC DALI CEILING**  
**UNIT**  
**22169731**  
**SUP2 DRIVER 150W AC/DC CEILING**  
**UNIT**



**60211109 SUP2 TRACK COVER SF/TL 2M WH**  
**60211110 SUP2 TRACK COVER SF/TL 2M BK**  
**60211111 SUP2 TRACK COVER SF/TL 2M SR**



**i**



**DE** Die Montage und Inbetriebnahme darf nur von autorisiertem Fachpersonal durchgeführt werden.

**EN** Installation and commissioning may only be carried out by authorized specialists.

**FR** L'installation et la mise en service doivent obligatoirement être effectuées par des techniciens.

**IT** Montaggio ed avviamento devono essere eseguiti solo da personale specializzato.

**NL** De montage en inbedrijfstelling mogen enkel door erkend vakpersoneel worden uitgevoerd.

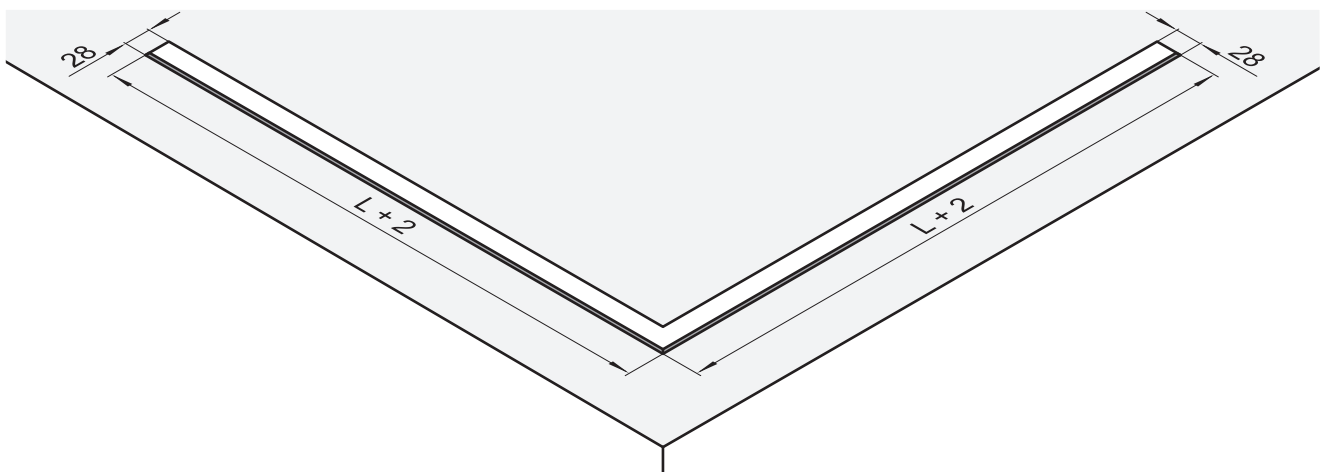
**SV** Monteringen och idrifttagandet får endast företas av auktoriserad fackpersonal.

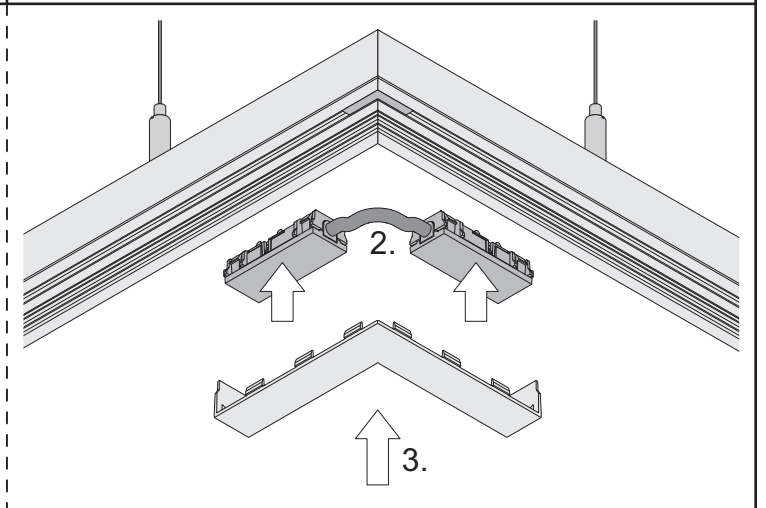
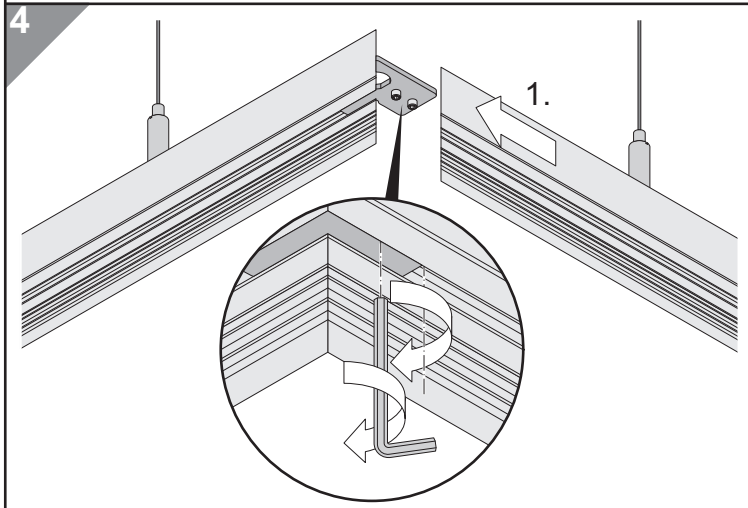
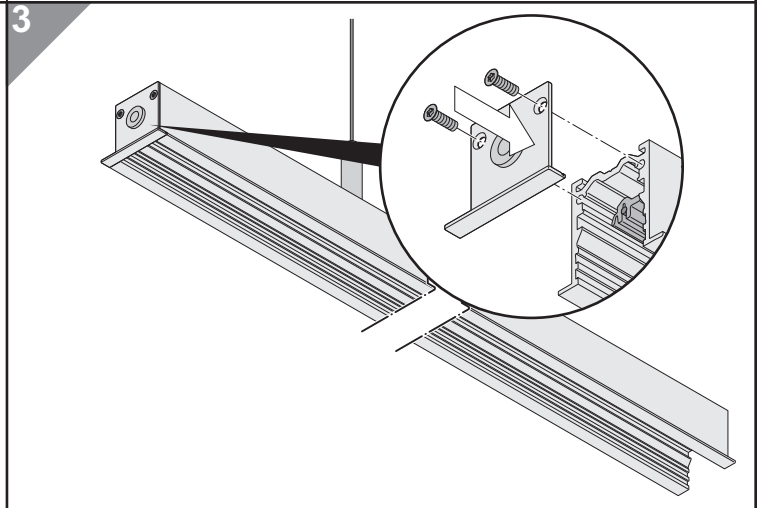
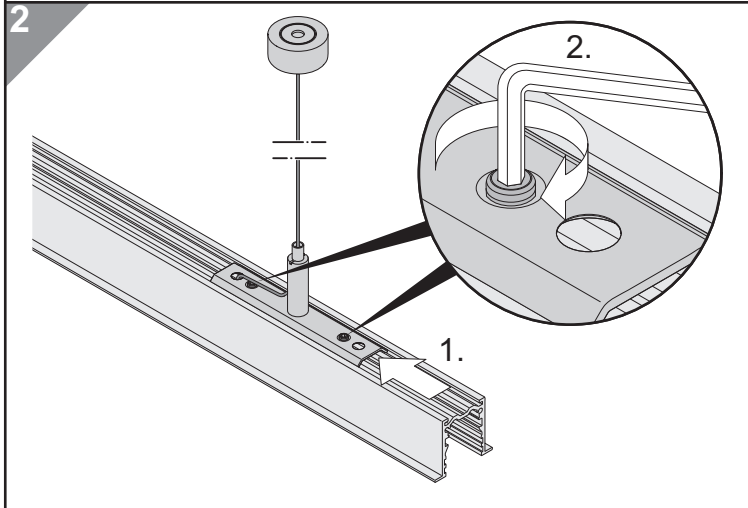
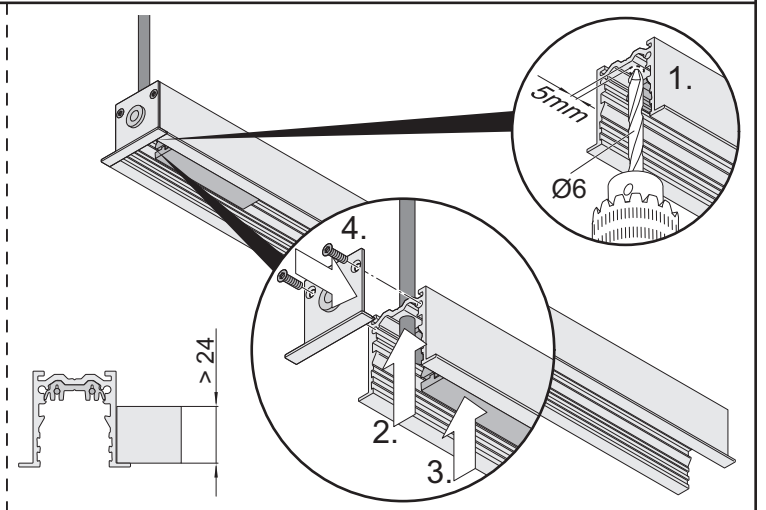
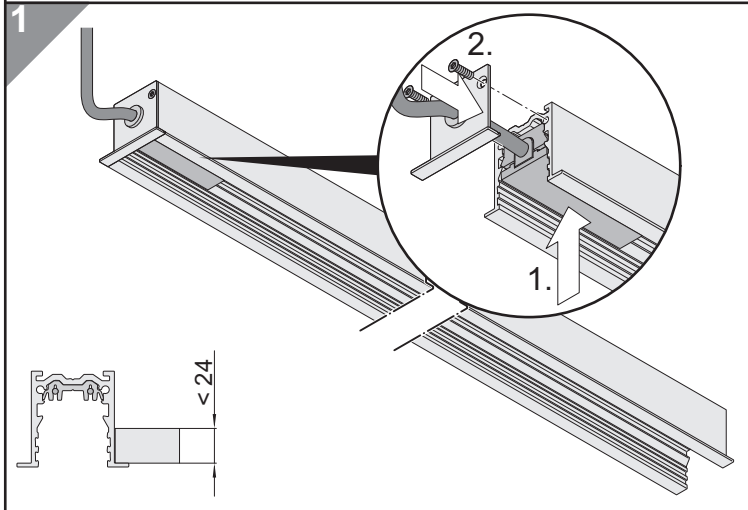
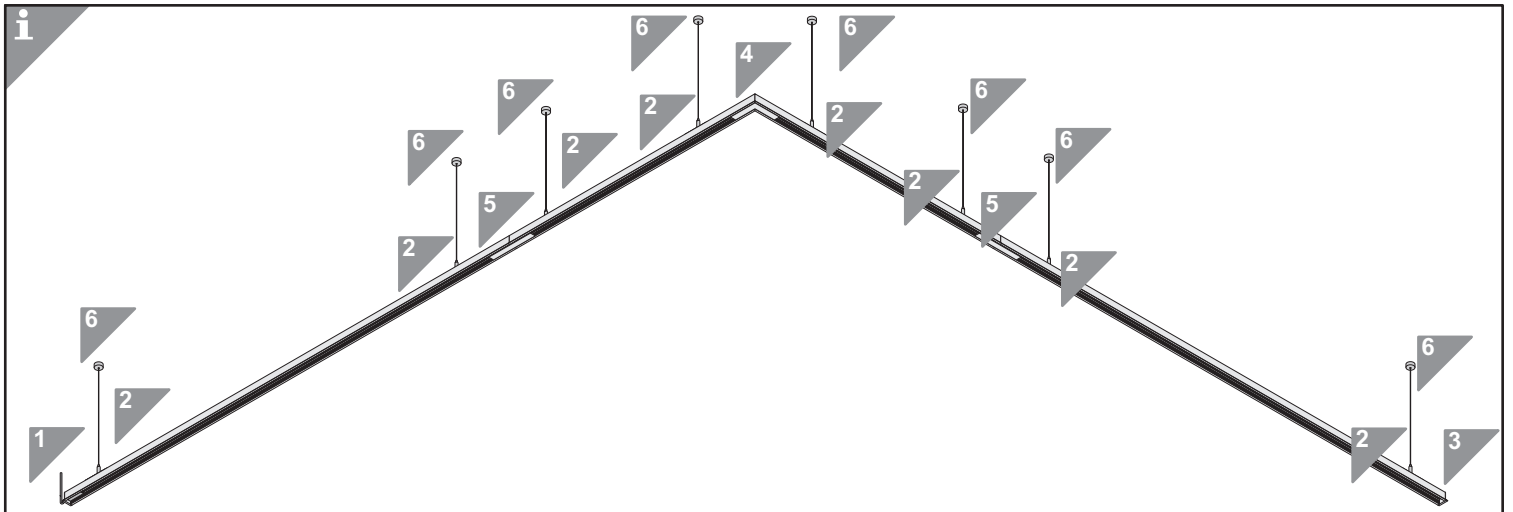
**FI** Asennuksen ja käyttöönoton saa tehdä vain auktorisoitu ammattihenkilöstö.

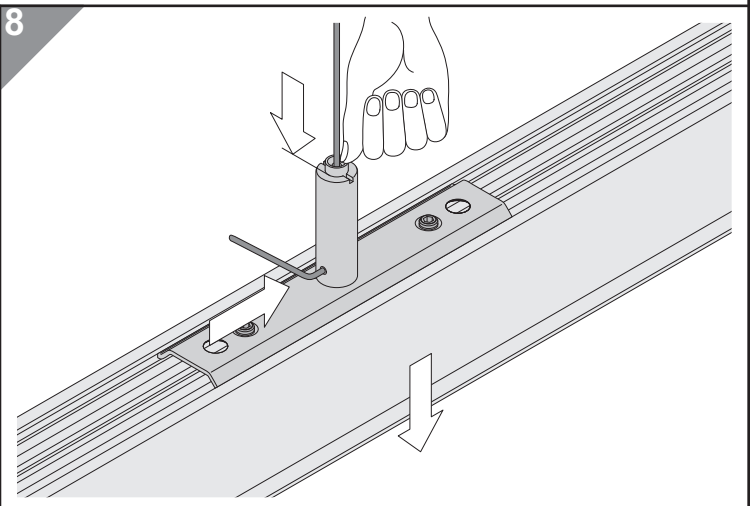
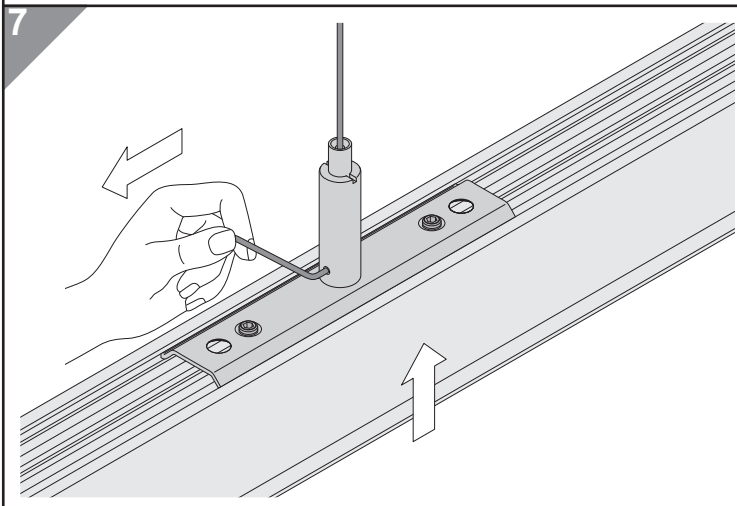
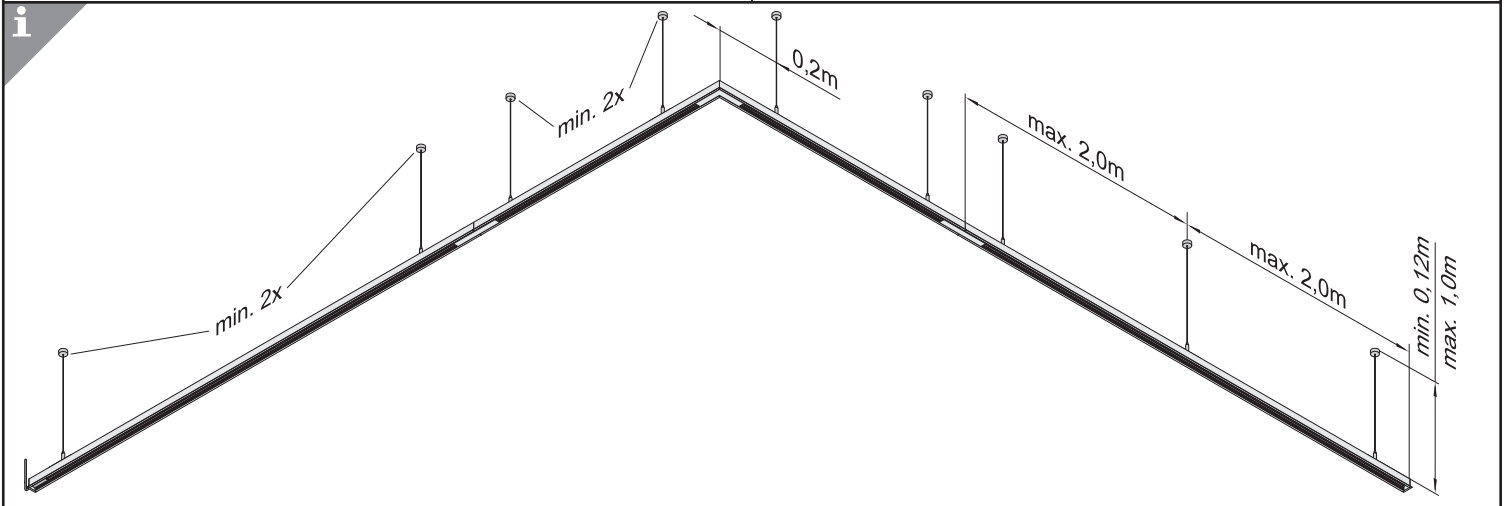
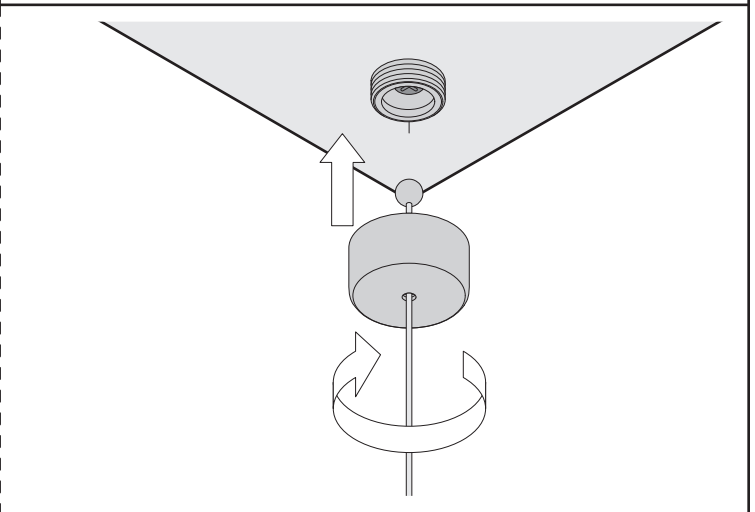
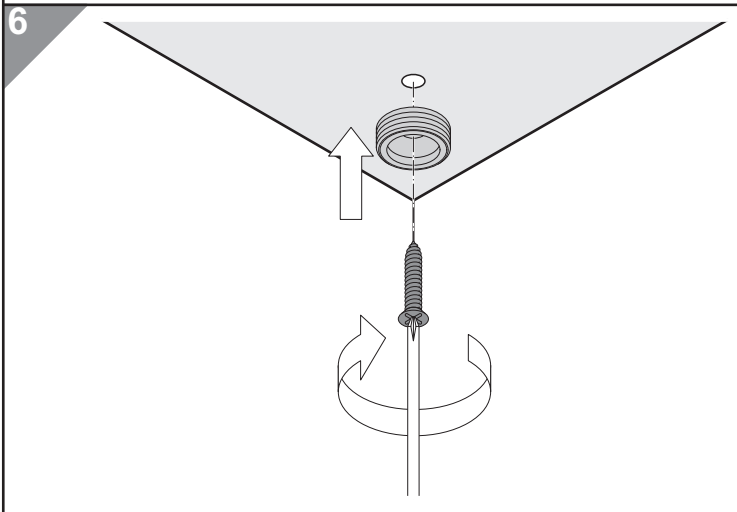
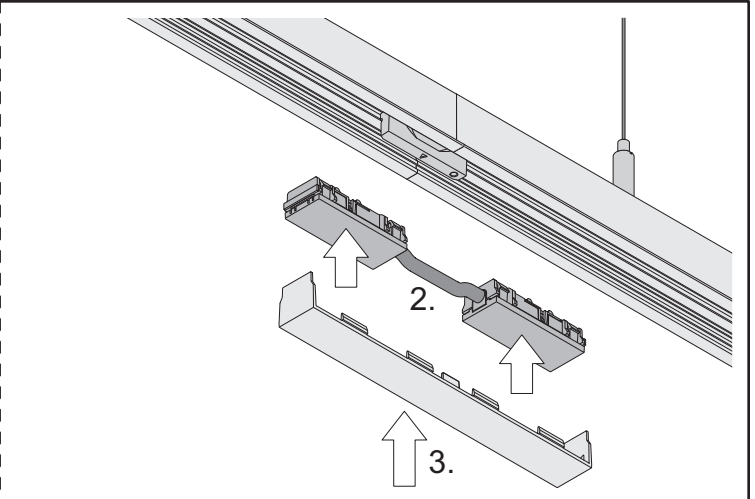
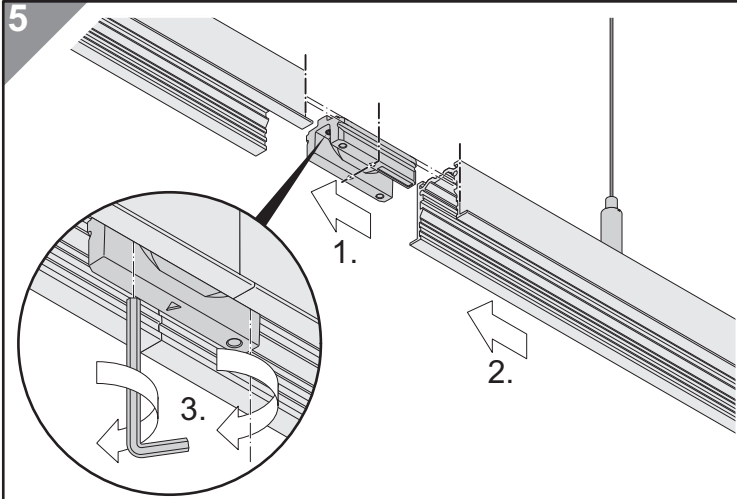
**ES** El montaje y la puesta en marcha sólo puede ser realizado por personal especializado autorizado.

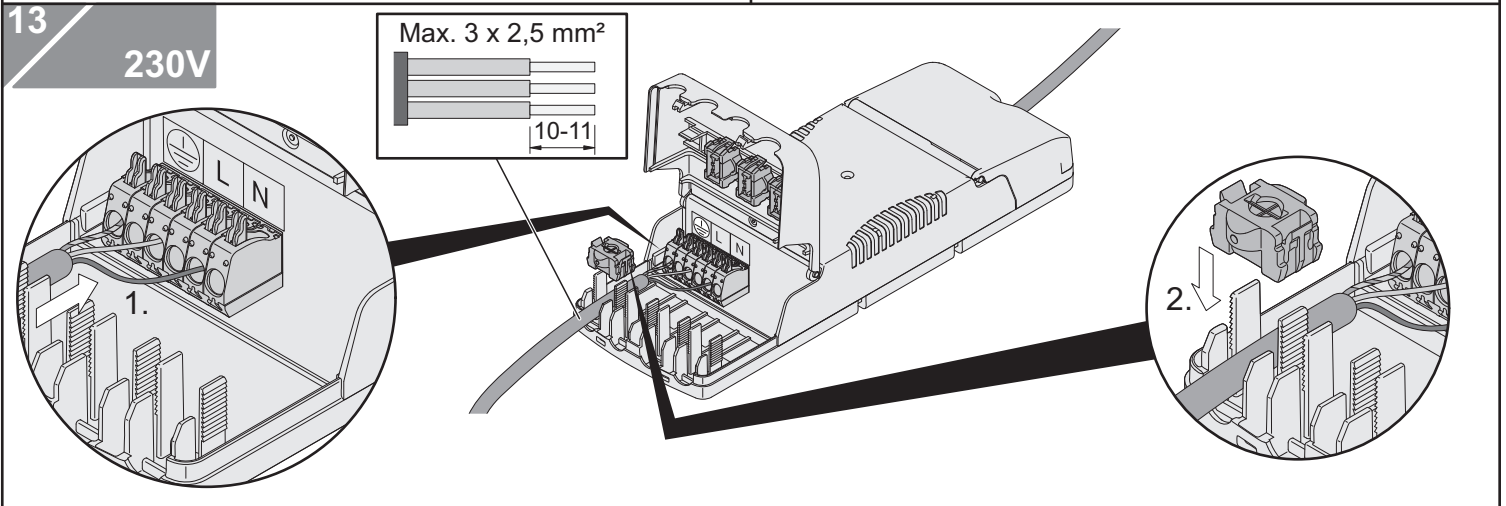
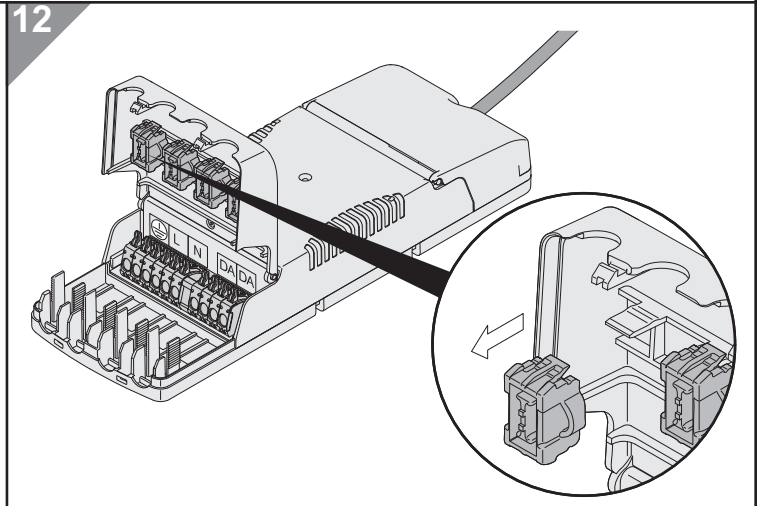
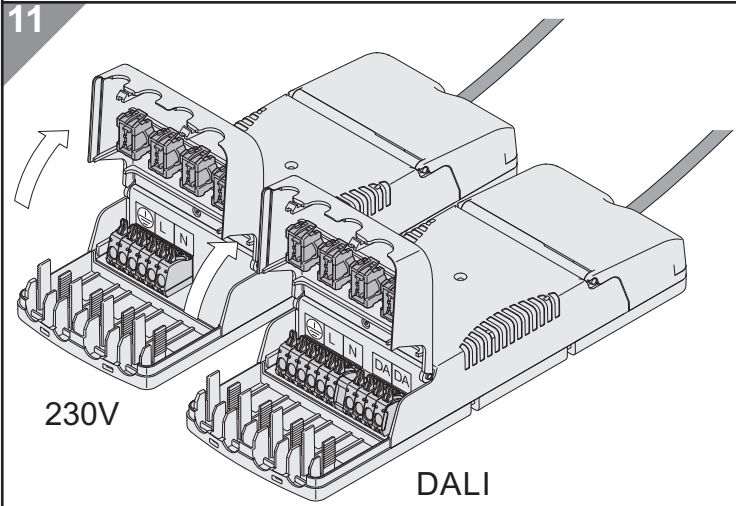
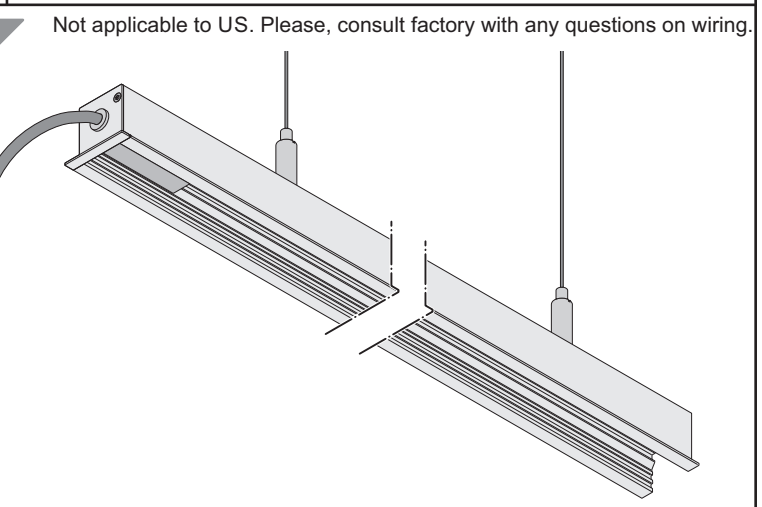
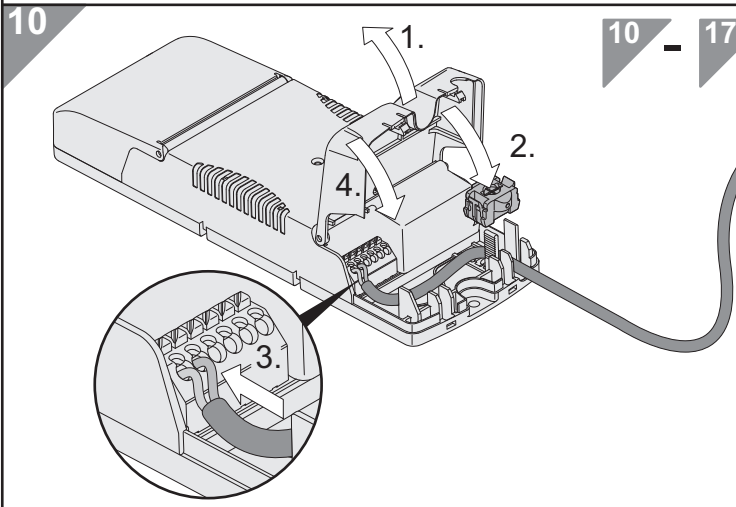
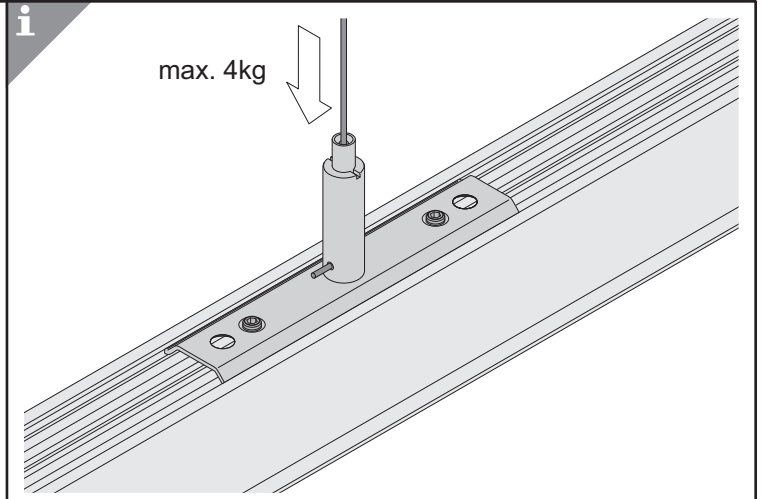
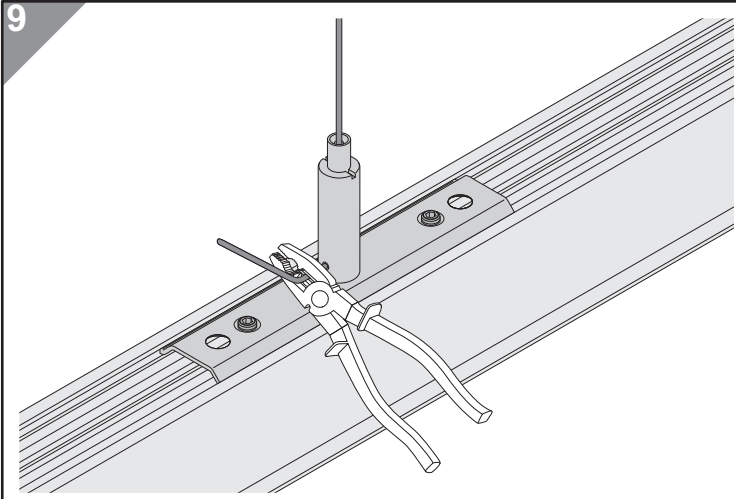
**ZH** 灯具的安装、调试及任何变动仅可由经授权的专业人士（具有资质的电工）执行。

**i**

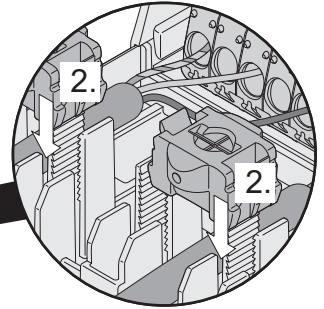
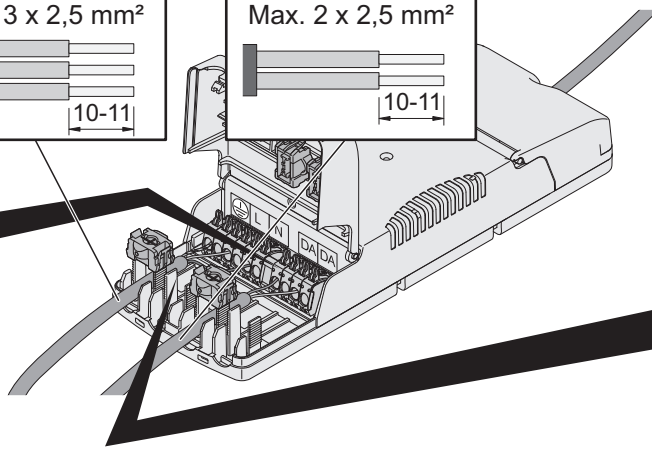
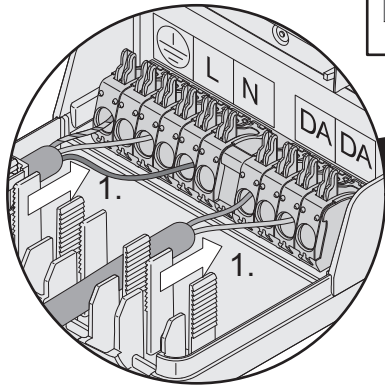
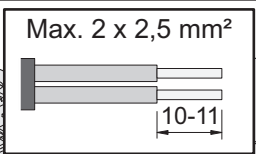
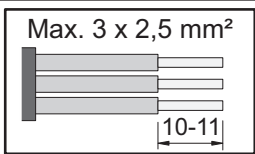




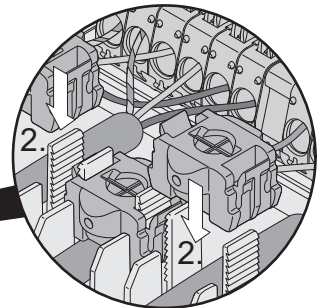
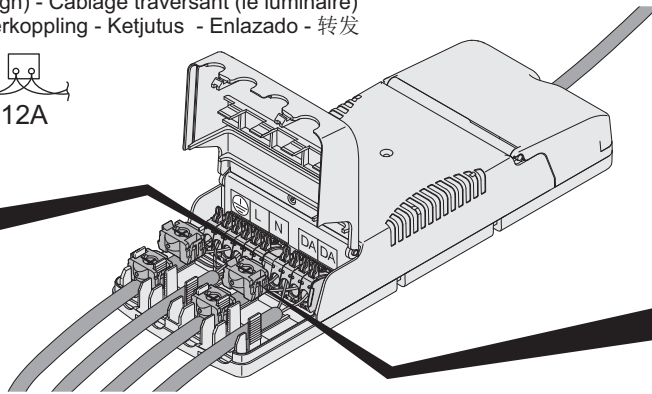
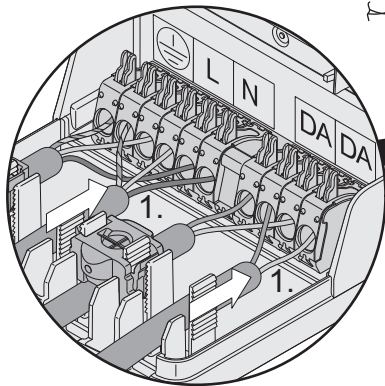
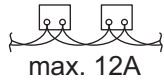




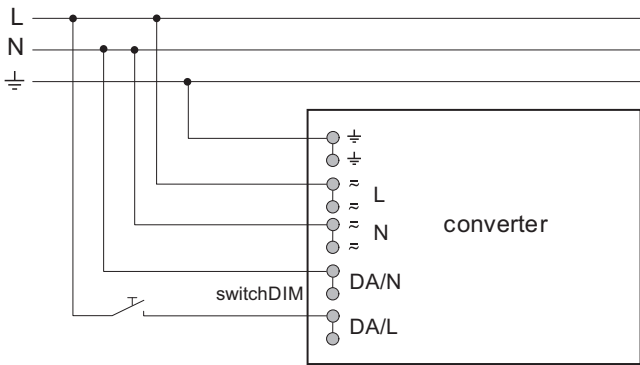
**14**  
**DALI/DSI**



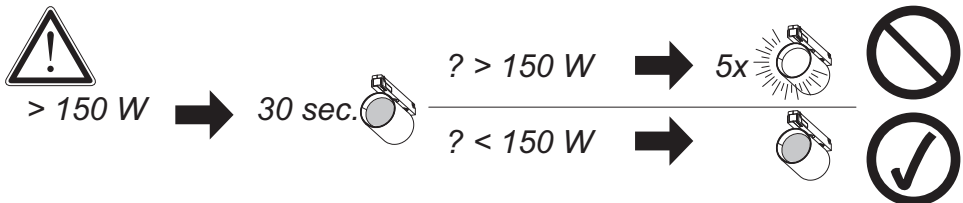
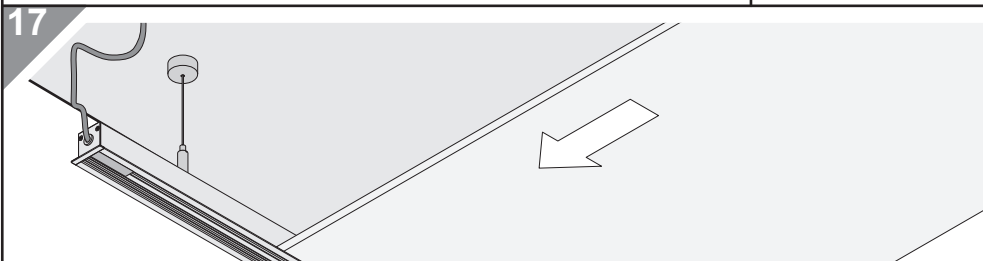
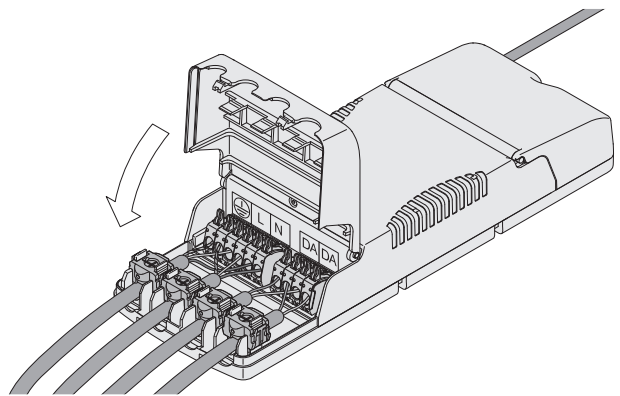
**15**  
Durchschleifen - Looping-in (feed through) - Câblage traversant (le luminaire)  
Cablaggio passante - Doorlussen - Överkoppling - Ketjutus - Enlazado - 转发



**i**  
**switchDIM**



**16**



- DE** Technische Änderungen vorbehalten.
- EN** Specifications subject to change without notice.
- FR** Modifications techniques sans préavis.
- IT** Modifiche tecniche senza preavviso.
- NL** Technische wijzigingen voorbehouden.
- SV** Med reservation för tekniska ändringar!
- FI** Oikeudet teknisiin muutoksiin pidätetään.
- ES** Modificaciones técnicas sin preaviso.
- ZH** 规格如有更改, 恕不另行通知!