

PANOS INF/EVO/DIAMO CASTING SURROUND

Anleitung

Gebrauch ○ for use

Montage ⊗ for mounting

instruction

for use

for mounting

Variante: Blecheingießgehäuse Kompakt Richtungsneutral

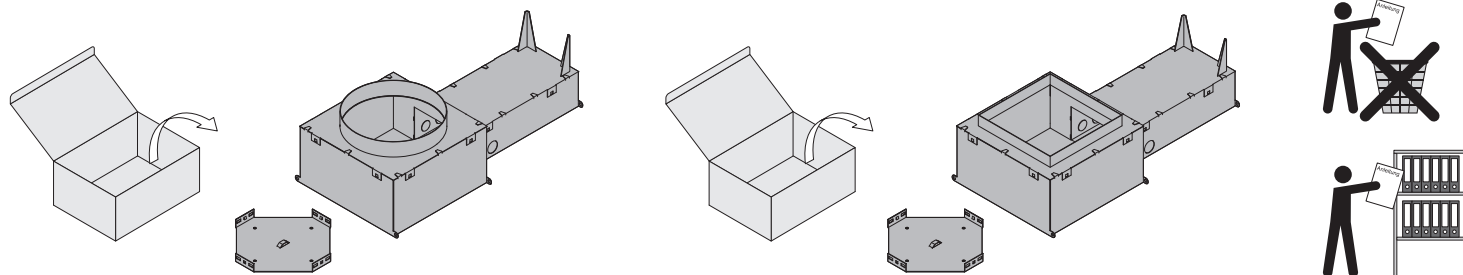
Alternative version: sheet-steel casting surround, compact, to be flexibly positioned

Version : boîtier d'encastrement compact en tôle, sans direction prédéfinie

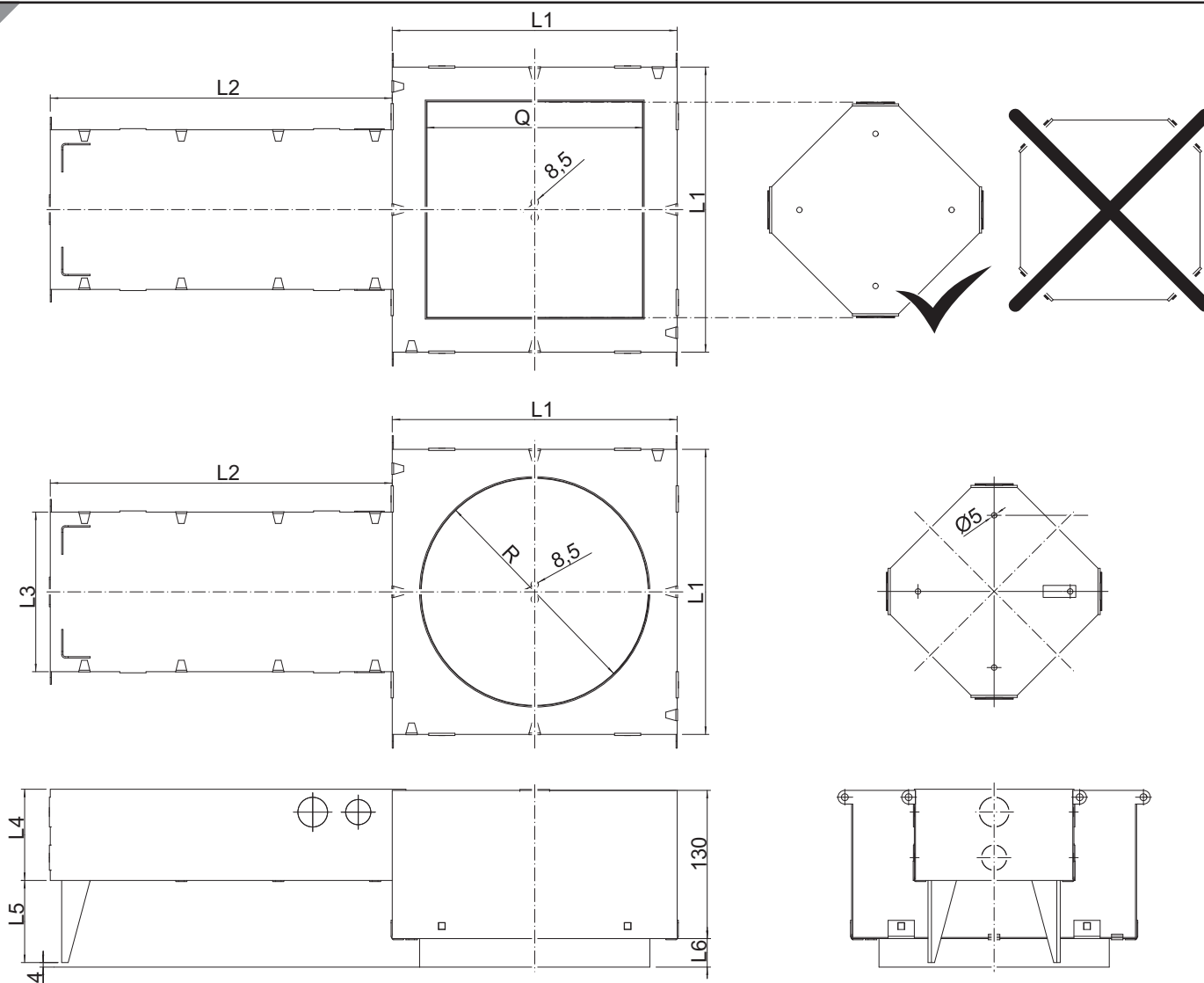
Variante: box di lamiera, compatto e neutro nell'orientamento - Variant: inbouwbehuizing in plaatstaal, compact, richtingneutraal

Variant: Blikkhus til innstøping, kompakt, retningsnøytral - Malli: Peltinen upotuskotelo Kompakti Sopii kaikkiin suuntiin

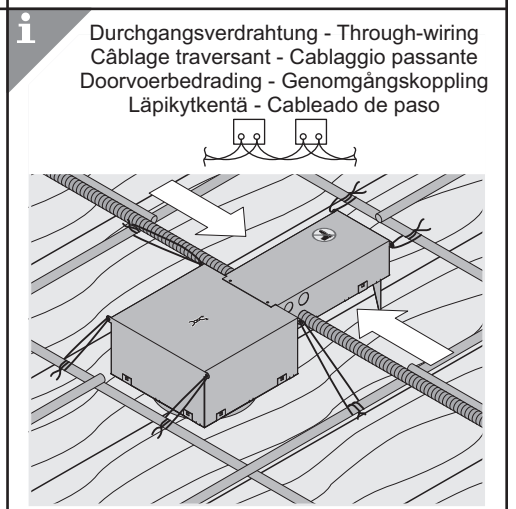
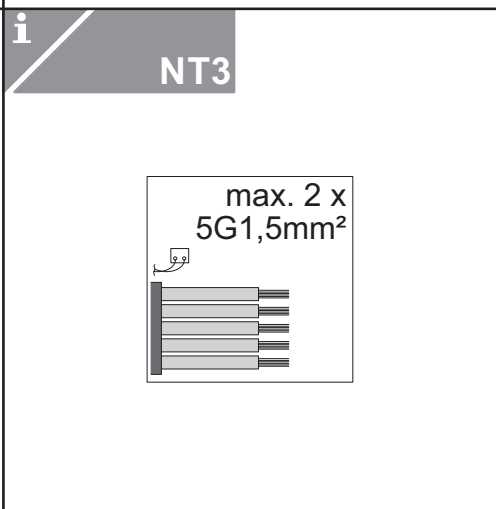
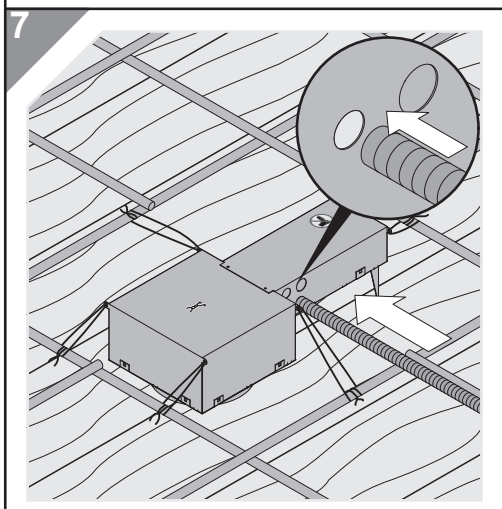
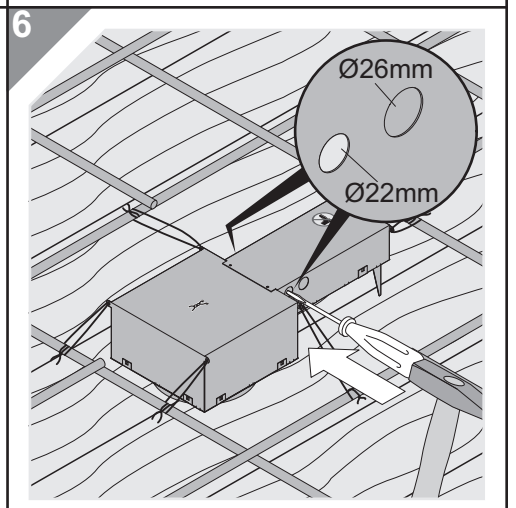
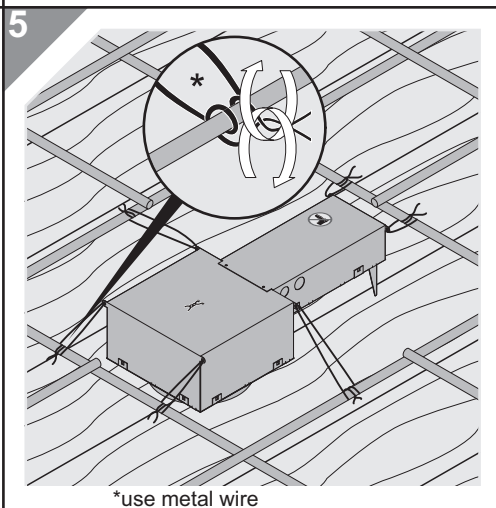
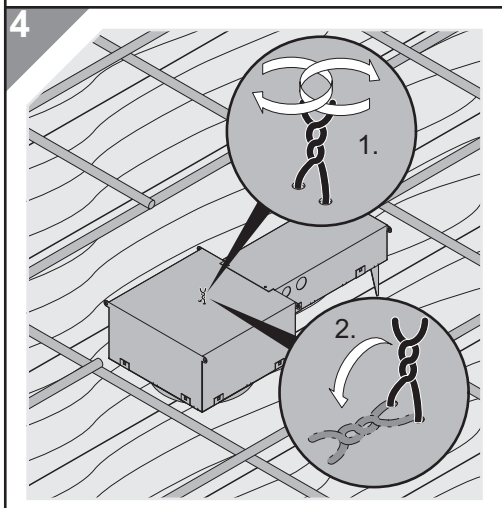
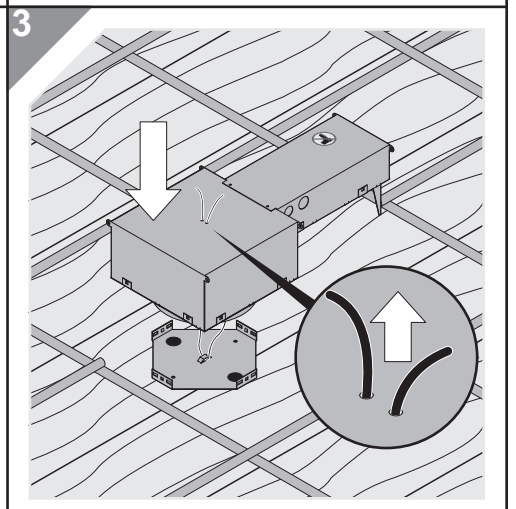
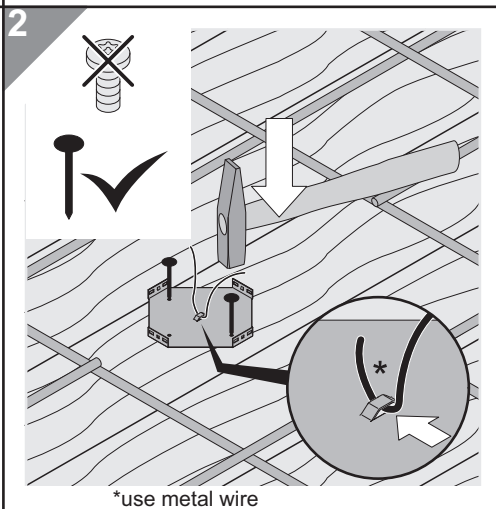
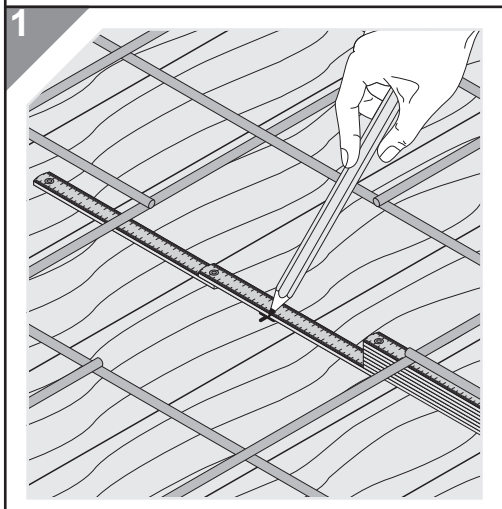
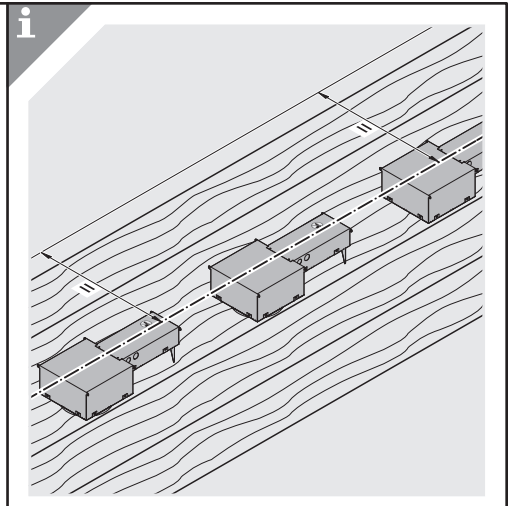
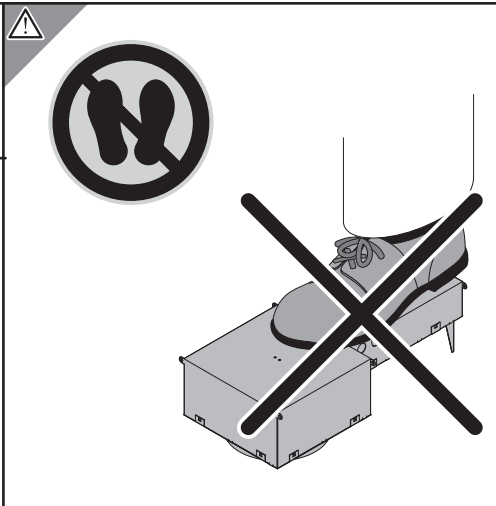
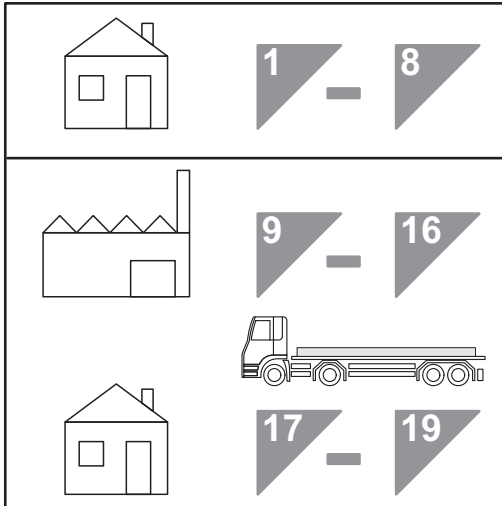
Variante: Carcasa de chapa para empotrar, compacta y sin orientación predefinida

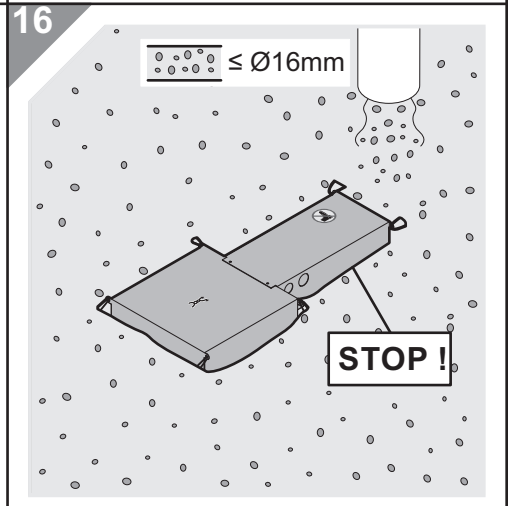
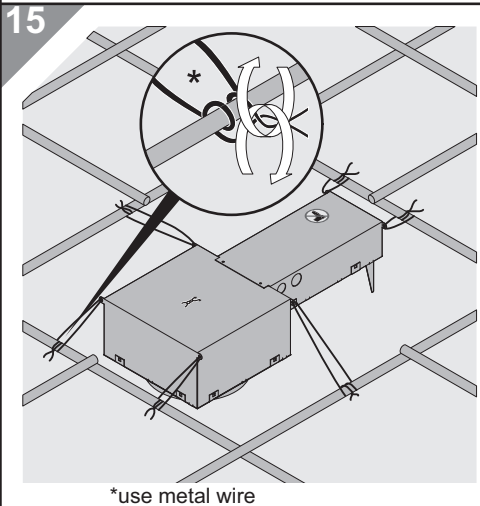
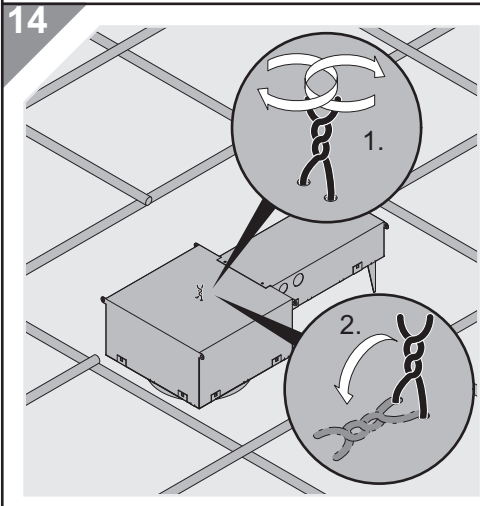
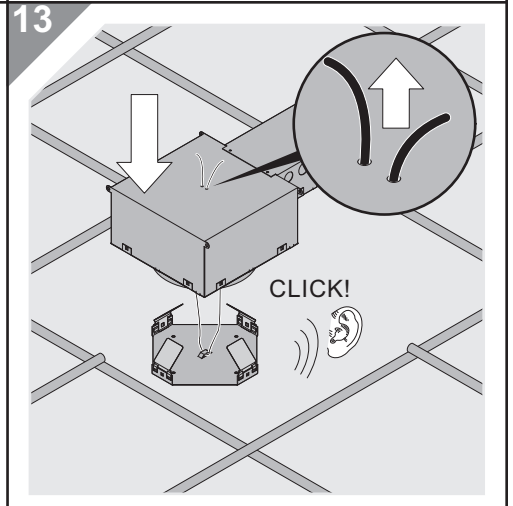
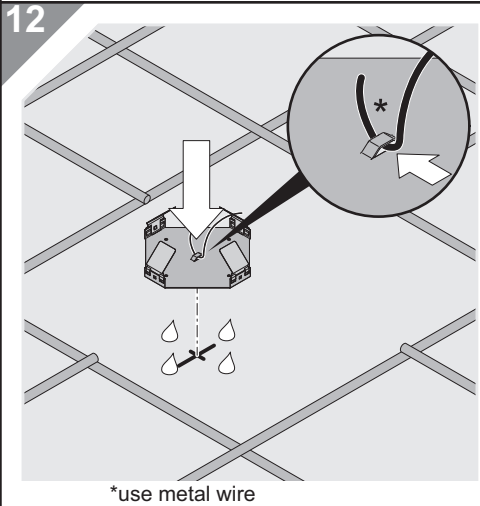
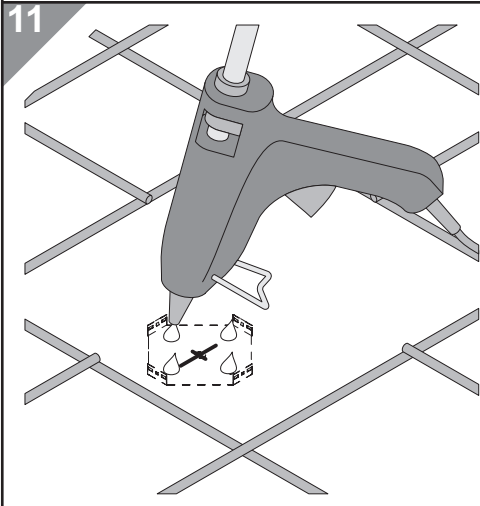
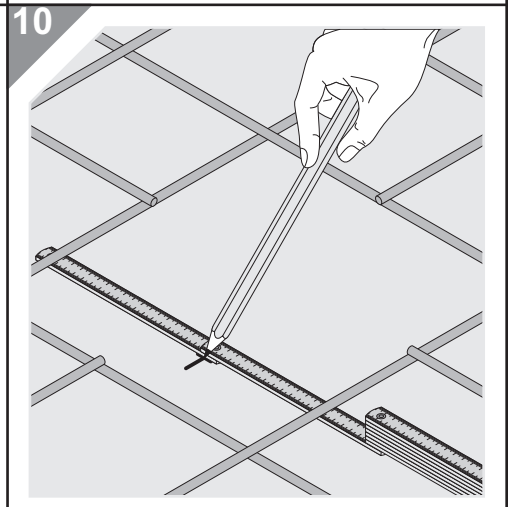
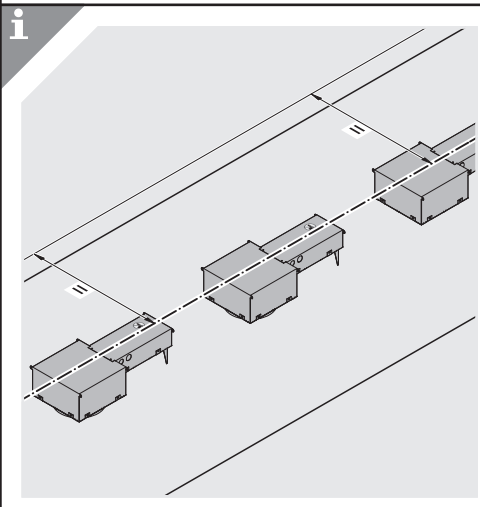
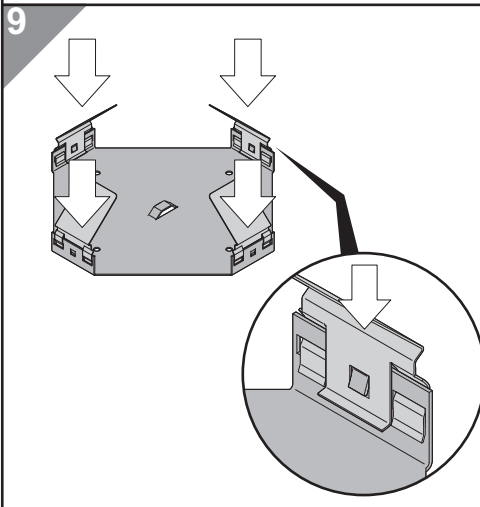
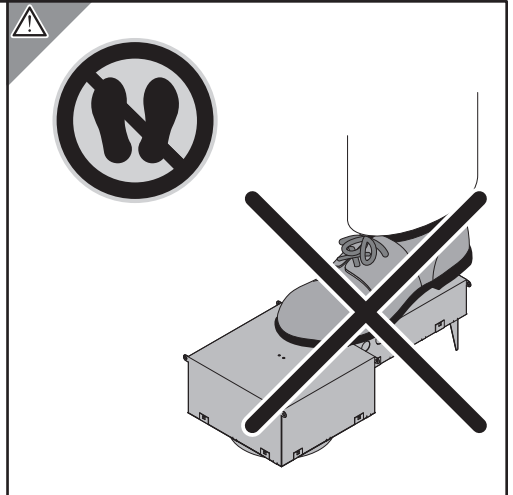
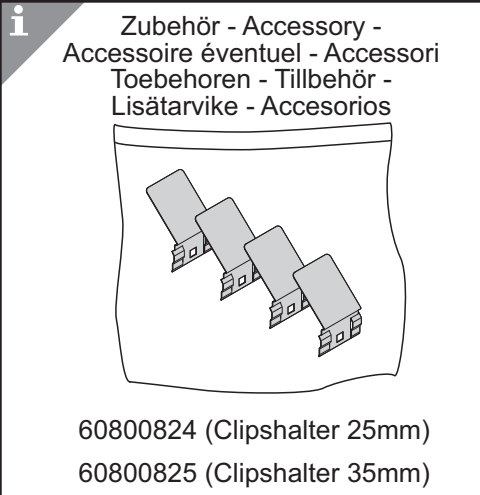
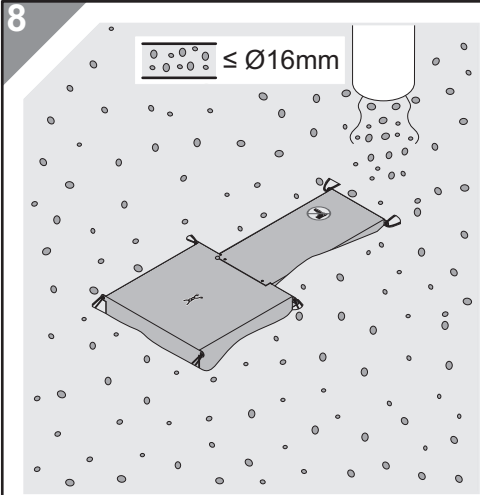


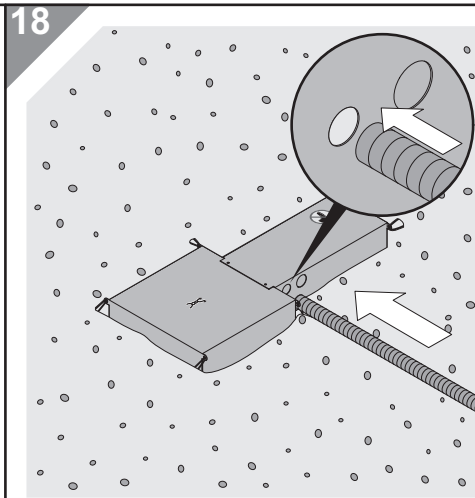
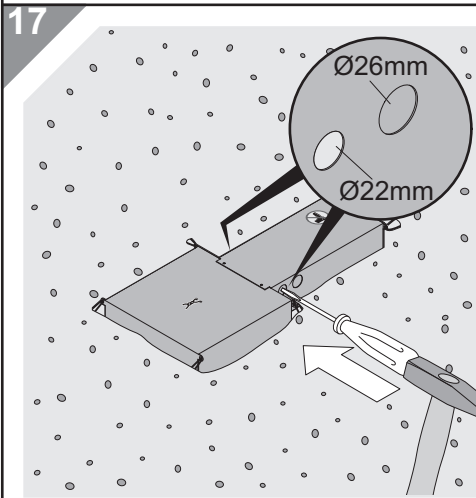
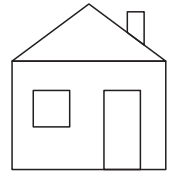
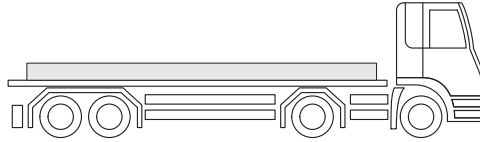
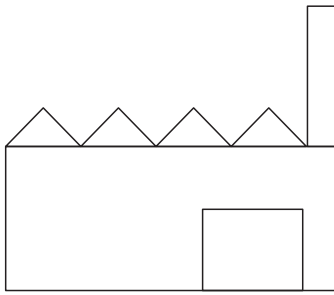
i



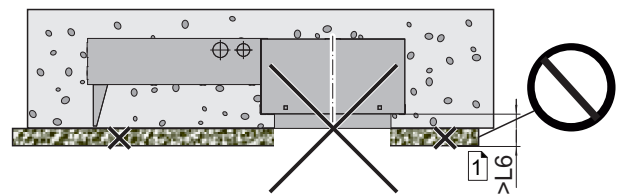
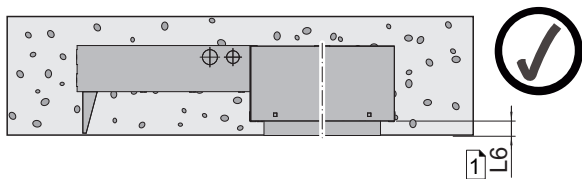
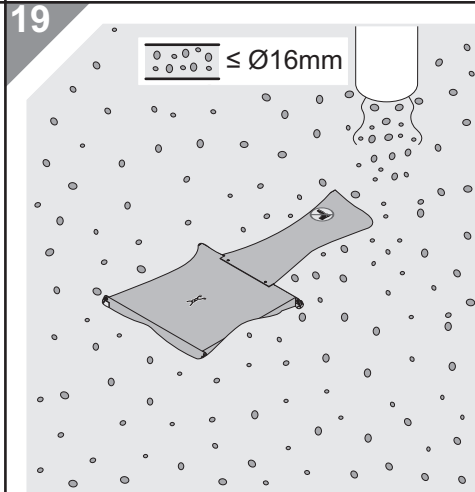
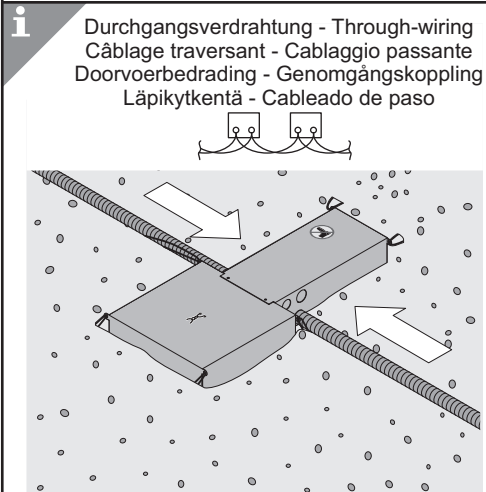
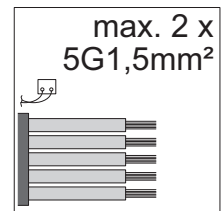
Nr.	CASTING SURROUND	R / Q	L1	L2	L3	L4	L5	L6
60800816	P-INF/EVO/DIAMO R68	R68	150	150	110	80	71	25
60800818	P-INF/EVO/DIAMO R100	R100	200	300	140	80	71	25
60800820	PANOS INF/EVO R150	R150	200	300	140	80	81	35
60800822	PANOS INF/EVO R200	R200	250	300	140	80	81	35
60800817	PANOS INF/EVO Q68	Q68	150	150	110	80	71	25
60800819	P-INF/EVO/DIAMO Q100	Q100	200	300	140	80	71	25
60800821	PANOS INF/EVO Q140	Q140	200	300	140	80	71	25
60800823	PANOS INF/EVO Q190	Q190	250	300	140	80	71	25







i NT3



Technische Änderungen vorbehalten. - Specifications subject to change without notice. - Modifications techniques sans préavis.
 Modifiche tecniche senza preavviso. - Technische wijzigingen voorbehouden.
 Med forbehold om tekniske endringer. - Oikeudet teknisiin muutoksiin pidätetään. - Modificaciones técnicas sin preaviso.