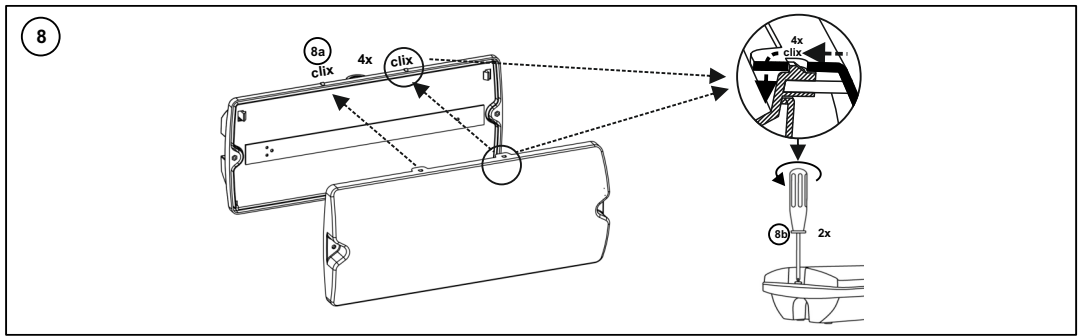


THORN



VOYAGER SOLID



VOYAGER SOLID L

9 TEST E1/3-S	Green Led / Grün Led
Manual Start/ Manueller Start	Led ON - AC Mode - Battery connected
Function Test : Monthly, 1 min Duration Test : Annually, 1H/3H	Led OFF - Emergency Mode - Test Mode - Battery disconnected

10 TEST E1/3T-S, E1/3D-S, E1/3BC

Function test/ Funktionstest : Every 7 days
Duration Test/ Dauertest : Annually

Manual Start/ Manueller Start >1sec

Green LED/ Grün Led	Status	Red LED/ Rote LED	Status
	System OK Alles OK		Led Module Failure Ledmodulfehler
	Duration Test Dauertest		Battery disconnected Batterie abgeklemmt
	Function Test Funktionstest		Battery failure Batteriefehler
	Inhibit Mode(E1/3D & E1/3BC) (Switching into DALI Inhibit Mode via controller)		Address Identification Mode (E1/3D & E1/3BC)
	Emergency Mode or after Rest Mode (E1/3D & E1/3BC) or no mains & no battery power		Battery operation (Emergency Mode) or after Rest Mode (DALI models)

Battery Exchange

11 If the backup does not extend to the declared duration, the battery has to be replaced.

YYYY.MM E1/3/E1/3T: 3.2V, 1.6Ah, Li-FePO4 (59013700)
HP E1/3D, HP E1/3BC: 3.2V, 6.4Ah, Li-FePO4 (59013701)

EN Instructions for installation and operation!

The installation and commissioning of the luminaire as well as any modification to the luminaire may only be performed by authorized personnel (qualified electrician). National installation regulations must be observed. Before any work on the appliance is done, it must be disconnected from mains.
Hot plug-in is not an option and may cause damage to the lamp or luminaire!

The manufacturer is not liable for damages resulting from improper or faulty installation or operation or from unauthorized modifications to the luminaire.
Caution, risk of electric shock! Specifications are subject to change without notice!
If you have questions, please contact the manufacturer.

DE Hinweise für die Montage und den Betrieb!

Die Montage und Inbetriebnahme der Leuchte sowie jede Veränderung an der Leuchte darf nur von autorisierten Fachkräften (qualifizierter Elektriker) durchgeführt werden. Die nationalen Errichterbestimmungen sind zu beachten. Vor jeder Arbeit an der Leuchte ist diese vom Netz zu trennen.
Hot Plug-In ist nicht möglich und kann zu Schäden an der Leuchte führen!

Der Hersteller haftet nicht für Schäden, die aus fehlerhafter Montage, unsachgemäßem Betrieb oder unautorisierten Veränderungen an der Leuchte resultieren.
Vorsicht, Gefahr eines elektrischen Schlags.
Technische Änderungen vorbehalten! Bei Fragen wenden Sie sich an den Hersteller.

MAN THORN SOLID 2422



NAME	SPECIFICATIONS/ SPEZIFIKATIONEN
VOYAGER SOLID MS E1/3-S	23m, 1/3H, Manual test/ Manueller test
VOYAGER SOLID MS E1/3T-S	23m, 1/3H, AutoTest,
VOYAGER SOLID MS E1/3D-S	23m, 1/3H, DALI
VOYAGER SOLID MS E1/3BC	23m, 1/3H, basicDim Wireless (Casambi)
VOYAGER SOLID L MS E1/3-S	26m, 1/3H, Manual test/ Manueller test
VOYAGER SOLID L MS E1/3T-S	26m, 1/3H, AutoTest
VOYAGER SOLID L MS E1/3D-S	26m, 1/3H, DALI
VOYAGER SOLID L MS E1/3BC	26m, 1/3H, basicDim Wireless (Casambi)
VOYAGER SOLID MS ECD	23m, CENTRAL, 220-240V AC/DC DALI
VOYAGER SOLID P MS ECP	23m, CENTRAL, 220-240V AC/DC PLC
VOYAGER SOLID P MS ELP	23m, CENTRAL, 48V DC PLC
VOYAGER SOLID MS ECC	23m, CENTRAL, 220-240V AC/DC BASIC
VOYAGER SOLID L MS ECD	26m, CENTRAL, 220-240V AC/DC DALI
VOYAGER SOLID L P MS ECP	26m, CENTRAL, 220-240V AC/DC PLC
VOYAGER SOLID L P MS ELP	26m, CENTRAL, 48V DC PLC
VOYAGER SOLID L MS ECC	26m, CENTRAL, 220-240V AC/DC BASIC
VOYAGER SOLID L P MS HP E1/3D	26m, 1/3H, DALI
VOYAGER SOLID L MS HP E1/3BC	26m, 1/3H, basicDim Wireless (Casambi)
VOYAGER SOLID L MS HP ECD	26m, CENTRAL, 220-240V AC/DC, DALI
VOYAGER SOLID L P MS HP ECP	26m, CENTRAL, 220-240V AC/DC, PLC

EN Mounting instructions
Important notices. Please, read first! Keep the instructions safe! Specifications are subject to change without notice! If you have questions, please contact the manufacturer.

DE Montageanleitung
Wichtige Hinweise. Bitte zuerst lesen! Anleitung aufbewahren! Technische Änderungen vorbehalten! Bei Fragen wenden Sie sich an den Hersteller.

1

5mm
PH2

BC (Bluetooth® CASAMBI)

Website
www.tridonic.com/basicdim-wireless

Handbook
EN DE

Planning Notes
Wireless

2

4x 2a

4x 2b

4d

220-240V
50/60Hz

E1/3BC

Stand Alone
Maintained

Factory Set

Non-maintained

Connected to wireless system

Maintained/ Non-maintained setting via bDW system

4e

220-240V
50/60Hz

HP E1/3BC

Stand Alone

Non-maintained only

4f

220-240V
0/50/60Hz

ECD / HP ECD

Stand Alone

Non-maintained only

3

Wall / Wand
Ceiling / Decke

Ø18/PG11

Ø6x35

Ø6x35

Ø18 PG11

Solid : 200mm
Solid L : 250mm

3a

3b1 3b2

3c1 3c2

3d1 3d2

3e1 3e2

3f

h:2~3m

h:2~3m

4g

220-240V
0/50/60Hz

ECP/ HP ECP

Non-maintained only

4h

48V DC

ELP

Maintained/ Non-maintained setting via nBox system (Powerline)

4i

220-240V
0/50/60Hz

ECC

Only Maintained

5

E1/3, E1/3T, E1/3D, E1/3BC, HP E1/3D, HP E1/3BC

5a

5b

i

Up to 2 x 2.5 mm²
per connector pole

i

E1/3

i

E1/3T, E1/3D, E1/3BC

i

8-9mm Solid/ stranded wires
0,75 -2,5mm² max cable diameter Ø11

4a

220-240V,
50/60Hz

**E1/3
E1/3T**

Stand Alone

Non-maintained

Maintained

Factory Set

Switchable maintained

4b

220-240V,
50/60Hz

E1/3D

Stand Alone

Non-maintained

Maintained

Factory Set

Connected to DALI (*)

Maintained/ Non-maintained setting via DALI system

(*) Lsw should be energised

Switchable maintained

4c

220-240V,
50/60Hz

HP E1/3D

Stand Alone

Non-maintained

Connected to DALI

6

Supply

X: Self-Contained Version
Z: Central Battery Version

Duration

60: 1H
180: 3H
*: CENTRAL

Mode of Operation

0: Non-maintained
1: Maintained

Mode	Lighting	Test Device
0	● →	⊗
1	⊗ →	⊗

Facilities

A: Including test device
B: Including rest mode
C: Including inhibit mode
D: High risk task area luminaire
E: With non-replaceable lamp or battery
F: Automatic test facility
G: Safety sign

XZ01ABCDEFG 60/180/*

7

Option for E1/3, E1/3T, E1/3D, ECD, ECP, ELP, ECC
Not for HP types

Voyager Solid
96634866

Voyager Solid L
96629768

XZ01ABCDEFG 60/180/*