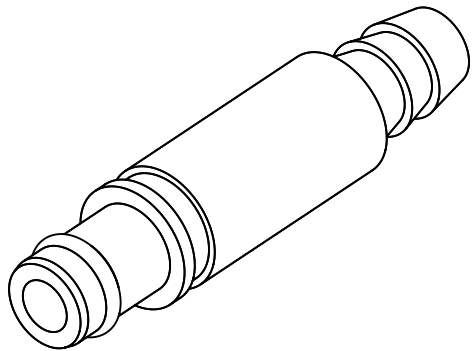
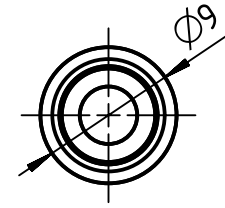
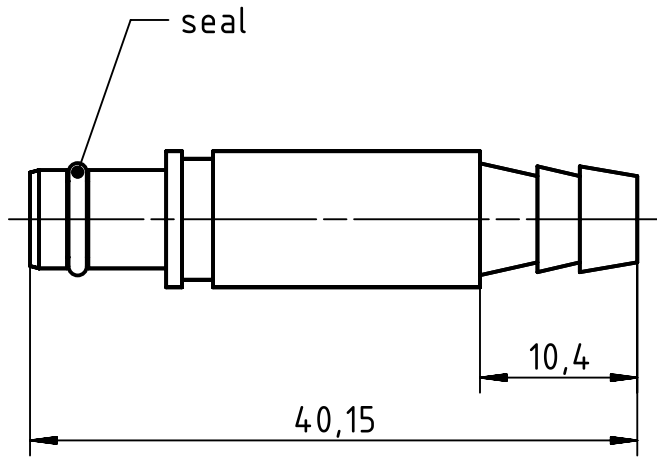



1 2 3 4 5 6

A  
B  
C  
D



	All rights reserved Department EL PD - DE	All Dimensions in mm Original Size DIN A4		Scale 2:1	Free size tol.		Ref.	
		HARTING Electric GmbH & Co. KG D-32339 Espelkamp	Created by MOELLERLI	Inspected by BEISCHER	Standardisation RUETERA	Date 2018-05-16	State Final Release	
Title Pneum. contact metal ID 6 male							Doc-Key / ECM-Nr. 100654517/UGD/001/D 500000133860	
Type TB				Number 09 14 000 6306			Rev. D	Page 1/1