

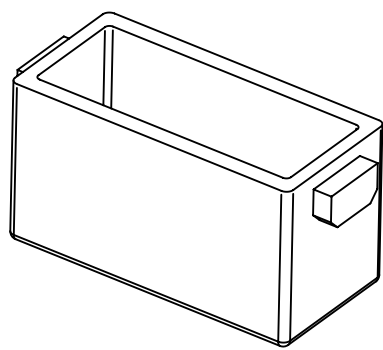
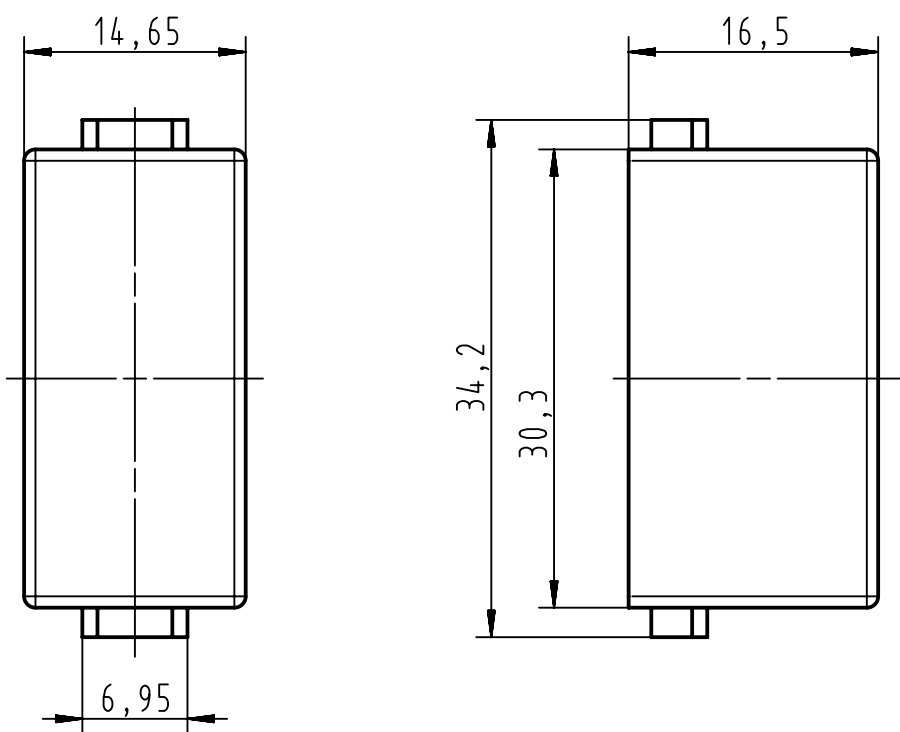
1                      2                      3                      4                      5                      6


A

B

C

D



	All rights reserved Department EL PD - DE		Created by MOELLERLI Inspected by BERGHORN		Standardisation SCHMIDTM Date 2013-03-07		State Final Release		
	HARTING Electric GmbH & Co. KG D-32339 Espelkamp		Title Han-Modular Dummy Module				Doc-Key / ECM-Nr. 100220135/UGD/003/B 500000058661		
			Type TB		Number 09 14 000 9950			Rev. B	
								Page 1/1	