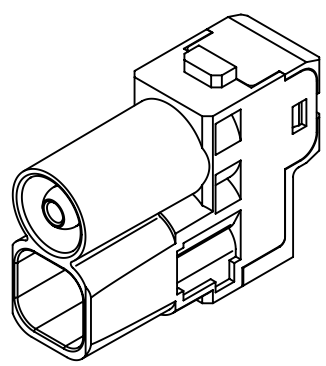
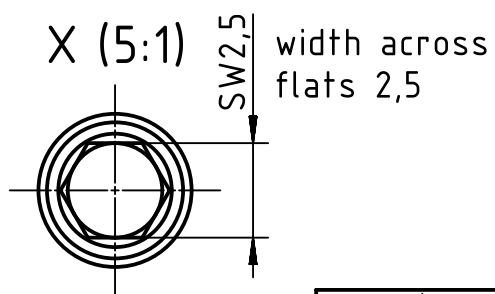
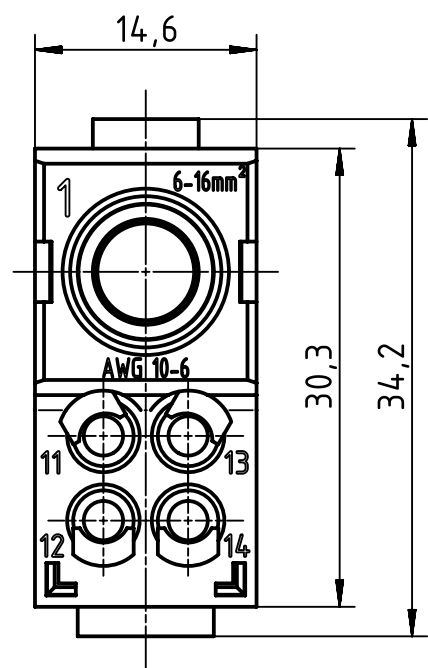
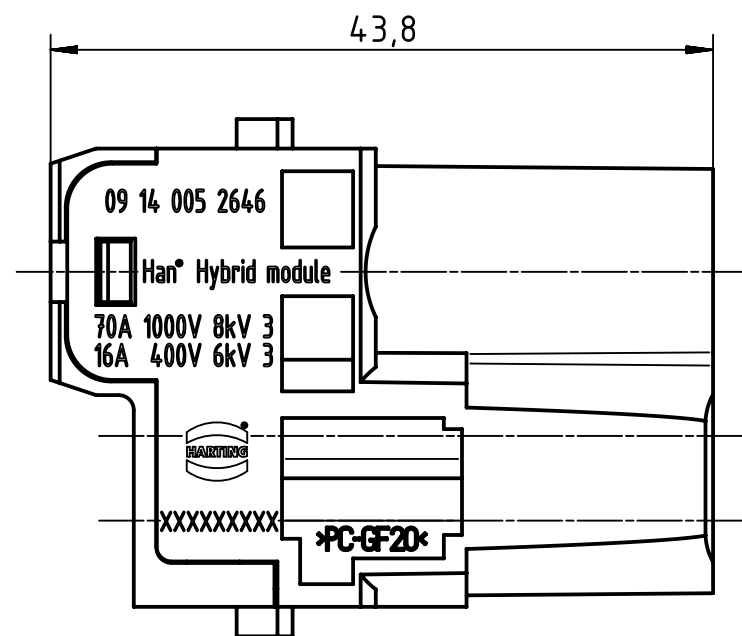
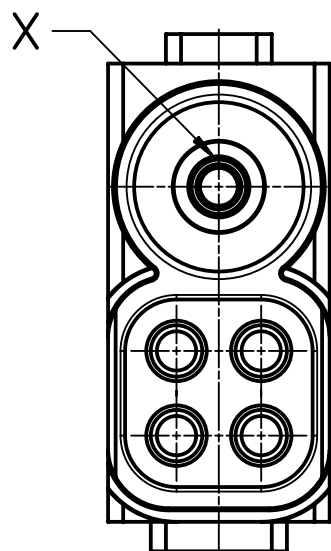


1 2 3 4 5 6

A  
B  
C  
D



for stranded wire 6-16mm<sup>2</sup>, AWG 10-6, fine wire

	All Dimensions in mm Original Size DIN A4		Scale 2:1	Free size tol.		Ref.
						Sub.
	All rights reserved		Created by HARLASSK	Inspected by GERB	Standardisation TIEMANNA	Date 2016-04-13
	Department EL PD - DE					State Final Release
HARTING Electric GmbH & Co. KG D-32339 Espelkamp			Title Han 70A Hybrid module, male 6-16mm <sup>2</sup>			Doc-Key / ECM-Nr. 100199956/UGD/004/A 500000103223
			Type TB	Number 09 14 005 2646		Rev. A
						Page 1/1