

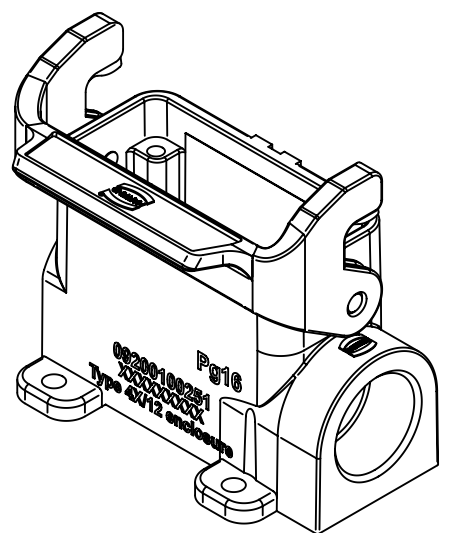
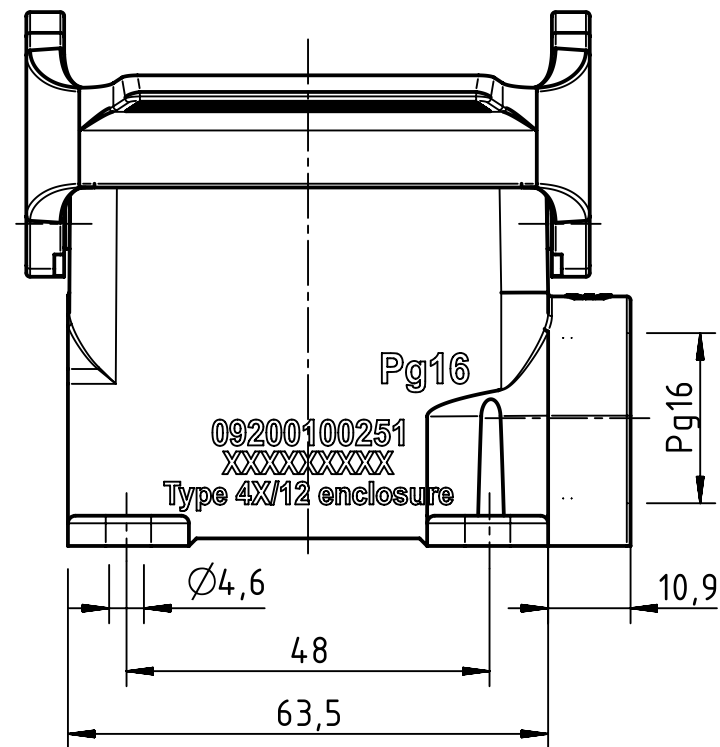
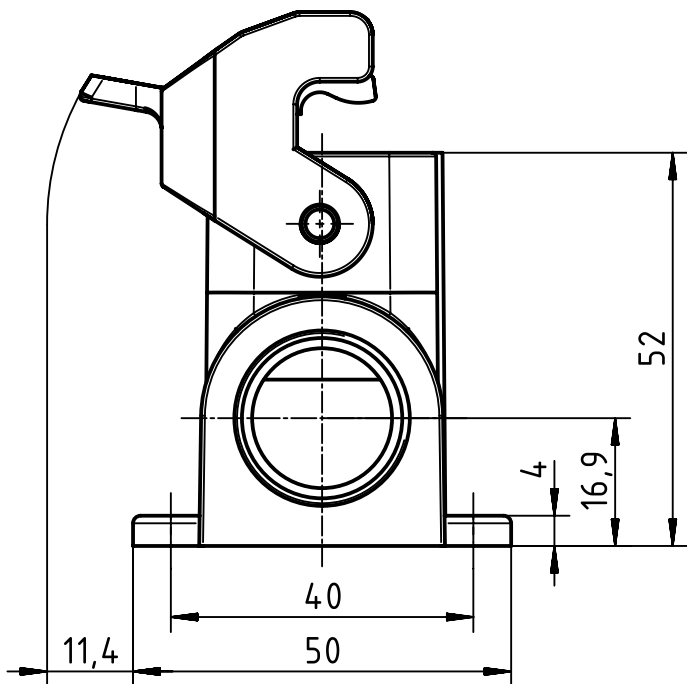
1 2 3 4 5 6

A

B

C

D



	All Dimensions in mm Original Size DIN A4		Scale 1:1	Free size tol.		Ref. Sub. TB 09 20 010 0251 v. 15.09.94		
		All rights reserved Department EL PD - DE		Created by FINKEV	Inspected by BERGHORN	Standardisation TIEMANNA	Date 2017-12-18	State Final Release
HARTING Electric GmbH & Co. KG D-32339 Espelkamp				Title Han 10 A-asg1-LB-16		Doc-Key / ECM-Nr. 100189736/UGD/004/C 500000128972		
				Type TB	Number 09 20 010 0251		Rev. C	Page 1/1