

1 2 3 4 5 6

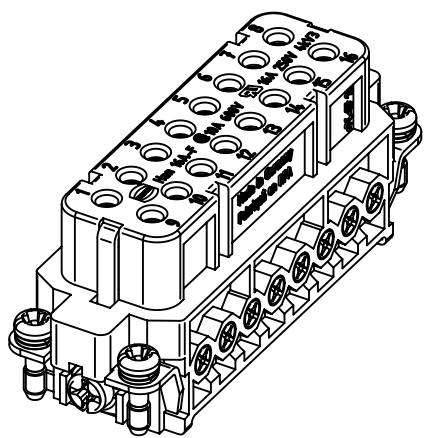
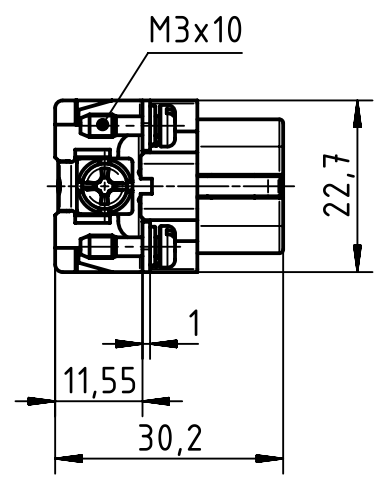
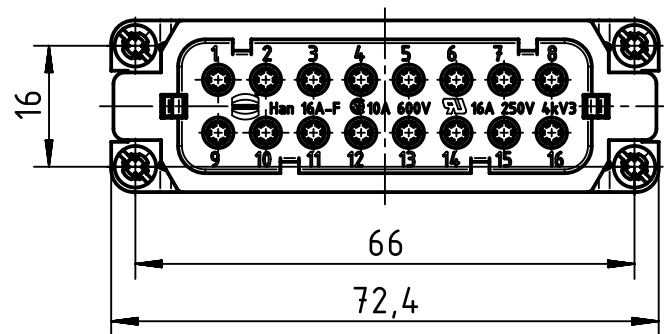
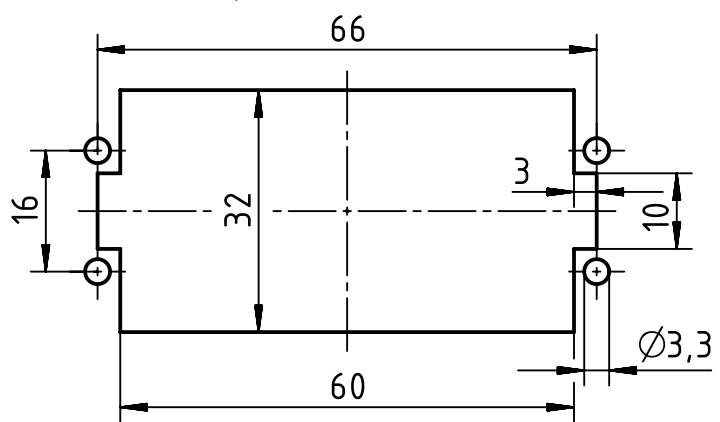
A


B

C

D

panel cut out



	All rights reserved Department EL PD - DE	Created by SPRENB		Inspected by BERGHORN		Standardisation TIEMANNA		Date 2015-09-18		State Final Release	
		Title Han A16 Pos F Insert Screw w/Wire Prot								Doc-Key / ECM-Nr. 100217399/UGD/003/D 500000091602	
HARTING Electric GmbH & Co. KG D-32339 Espelkamp		Type TB		Number 09 20 016 2814				Rev. D		Page 1/1	