

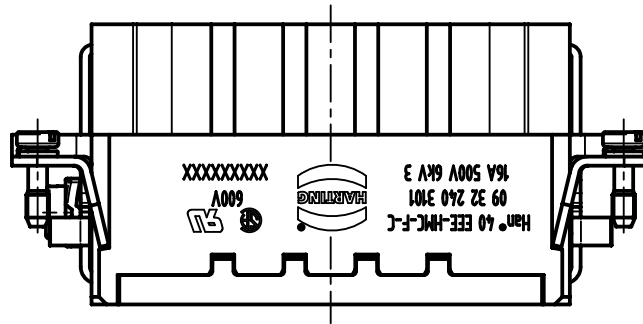
1 2 3 4 5 6

A

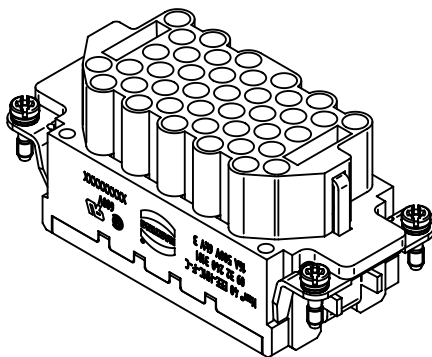
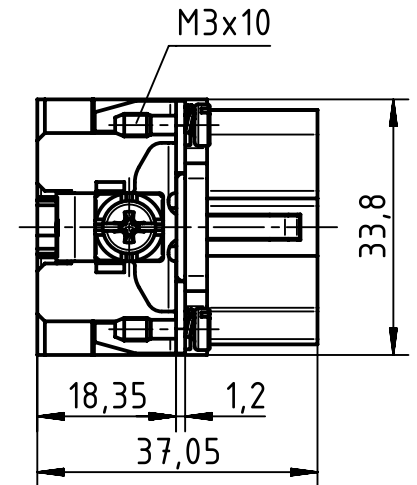
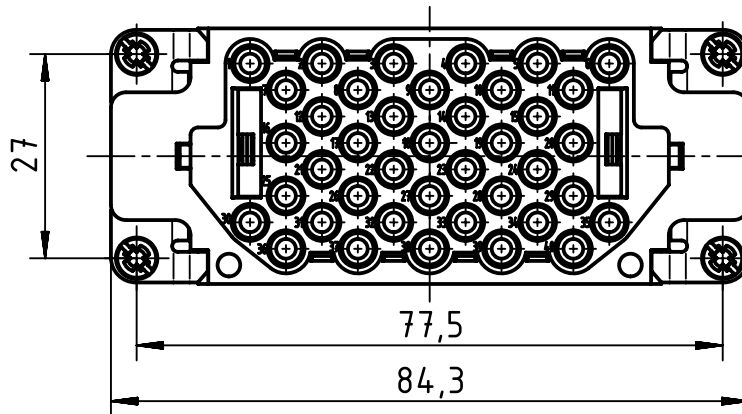
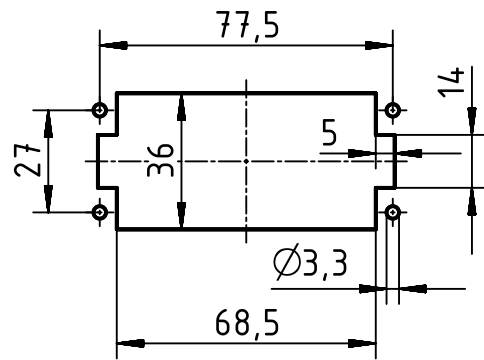
B


C

D



panel cut out (1:2)



	All rights reserved Department EL PD - DE	All Dimensions in mm Original Size DIN A4		Scale 1:1	Free size tol.	Ref. Sub.
		Created by HOLLERT	Inspected by SCHMIDTM	Standardisation TIEMANNA	Date 2016-04-20	State Final Release
HARTING Electric GmbH & Co. KG D-32339 Espelkamp		Title Han 40EEE HMC-F-Crimp			Doc-Key / ECM-Nr. 100535687/UGD/001/B 500000103373	
		Type TB	Number 09 32 240 3101		Rev. B	Page 1/1