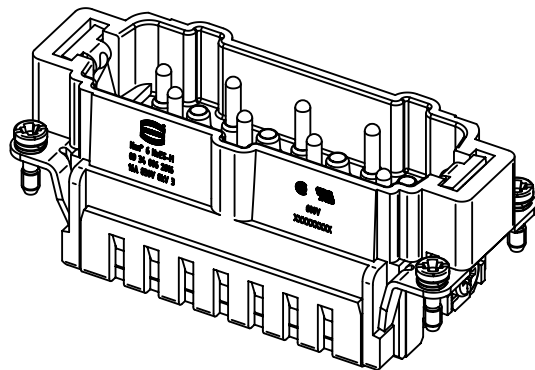
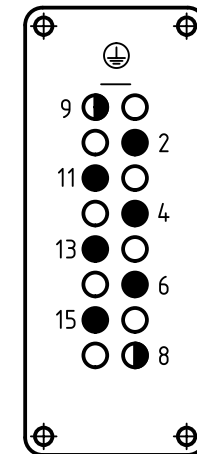


contact arrangement
(view from termination side)

- working contacts
- ◐ relay contacts
- without contacts



	All Dimensions in mm Original Size DIN A4		Scale 1:1	Free size tol.	Ref.
	All rights reserved Department EL PD - DE		Created by KLASSEN P	Inspected by BERGHORN	Standardisation RUETERA
HARTING Electric GmbH & Co. KG D-32339 Espelkamp		Title Han HvES 6 Pos. M Insert Cage Clamp Term			Date 2017-04-06
		Type TB			State Final Release
		Number 09 34 006 2616			Doc-Key / ECM-Nr. 100117963/UGD/005/B 500000116818
		Rev. B			Page 1/1