

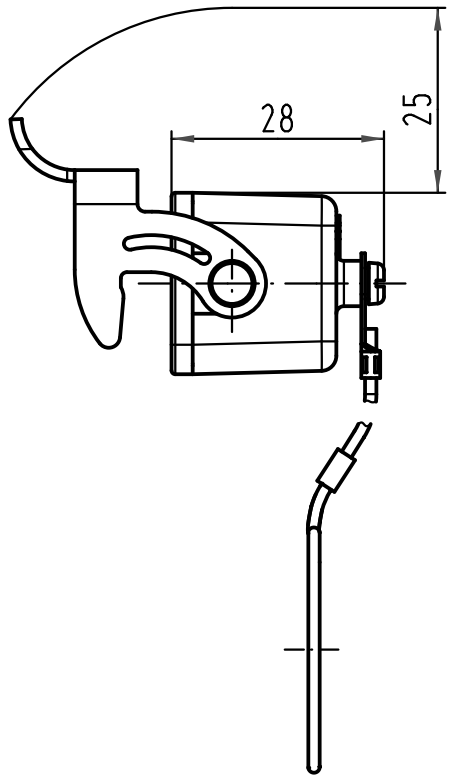
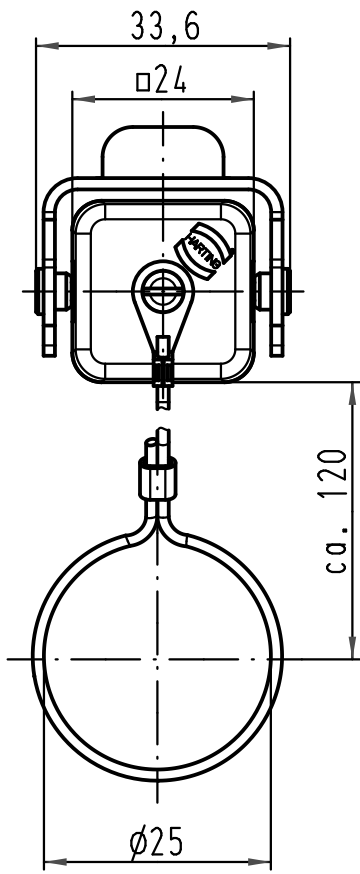
1 2 3 4 5 6

A

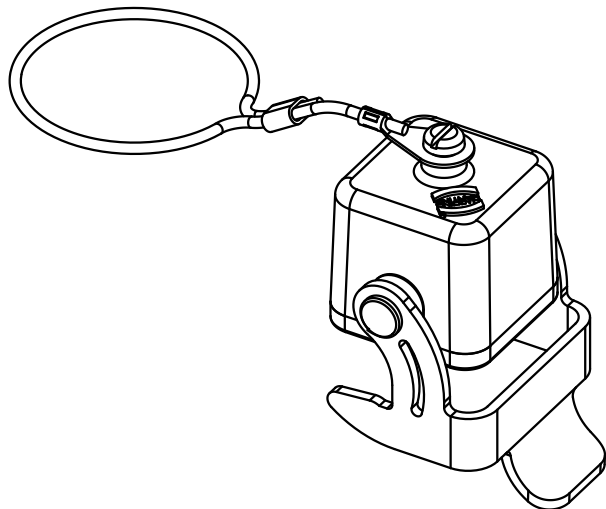
B

C

D



für Gehäuseoberteile mit bu-Einsatz/  
for hoods with female insert



|   |      |                   |                                |      |   |  |
|---|------|-------------------|--------------------------------|------|---|--|
| All Dimensions in mm<br>Original Size DIN A 4 |      | Techn. Character. |                                |      | Nicht tolerierte Maß/Free size tolerances |  |
|   |      |                   | Dat.                           | Name | Maßstab/Scale<br><br>1:1                  | <b>Han 3U-AK-QB</b><br>Metallabdeckkappe/<br>metal cover |
|   |      | Detail.           | 26.08.08                       | Ho   |   |  |
|   |      | Insp.             |                                | Be   |   |  |
|   |      | Stand.            |                                |      |   |  |
| 414102  |      |                   | HARTING Electric GmbH & Co. KG |      |   | <b>TB 09 36 003 5401</b><br>Sub.                         |
| Mod.  | Dat. | Name              | D-32339 Espelkamp              |      |   |  |
|   |      |                   |                                |      |   | Blatt/ page  |