

1 2 3 4 5 6

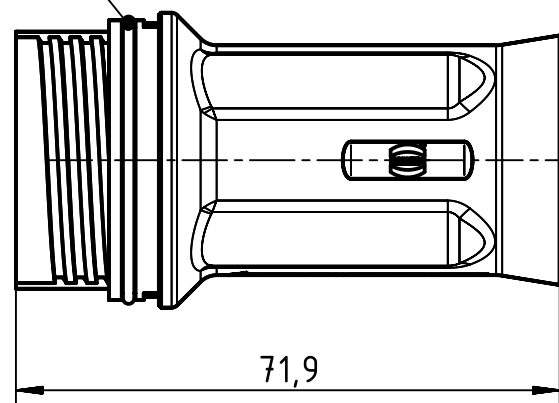
A

B

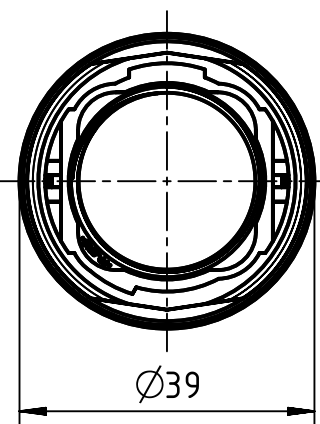
C

D

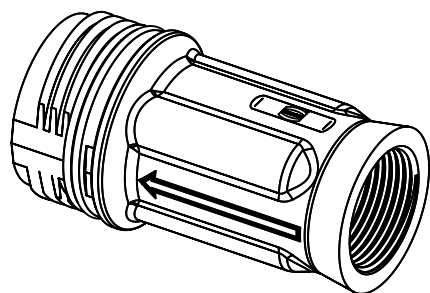
sealing




M25x1,5



Ø39



	All rights reserved Department EL PD - DE	All Dimensions in mm Original Size DIN A4		Scale 1:1	Free size tol.		Ref.		
		HARTING Electric GmbH & Co. KG D-32339 Espelkamp		Created by DEIMEL	Inspected by LOETKEMANN	Standardisation TIEMANNA	Date 2018-02-19	State Final Release	
Title Han F+B hood cable to cable							Doc-Key / ECM-Nr. 100602326/UGD/001/F 5000001314.83		
Type TB			Number 19 15 503 1701				Rev. F	Page 1/1	