

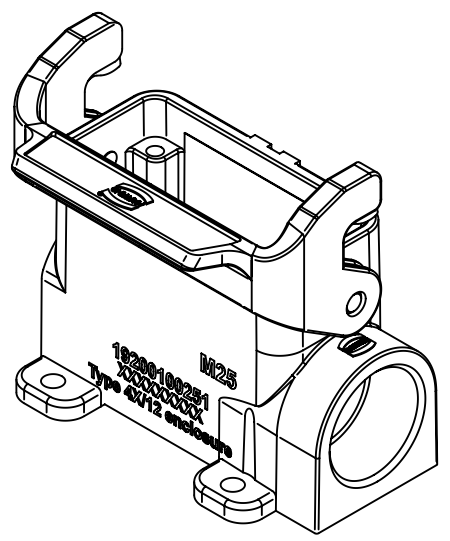
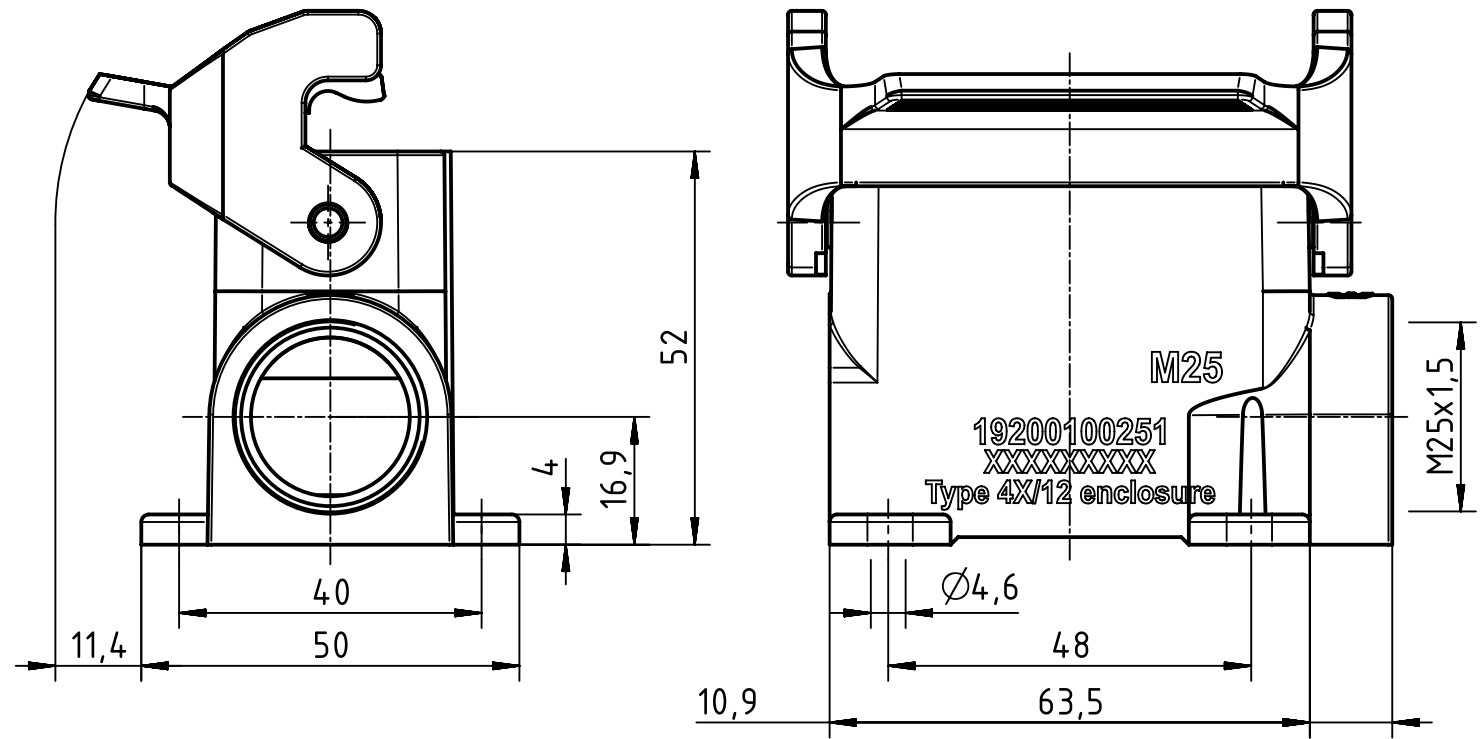
1 2 3 4 5 6

A

B

C

D



	All Dimensions in mm Original Size DIN A4		Scale 1:1	Free size tol.		Ref. Sub. TB 19 20 010 0251 v. 16.11.00			
		All rights reserved Department EL PD - DE		Created by FINKEV	Inspected by BERGHORN	Standardisation TIEMANNA	Date 2017-12-18	State Final Release	
HARTING Electric GmbH & Co. KG D-32339 Espelkamp				Title Han 10A-HSM-HC 1 Lever 1xM25			Doc-Key / ECM-Nr. 100190770/UGD/004/C 500000128972		
				Type TB	Number 19 20 010 0251			Rev. C	Page 1/1