

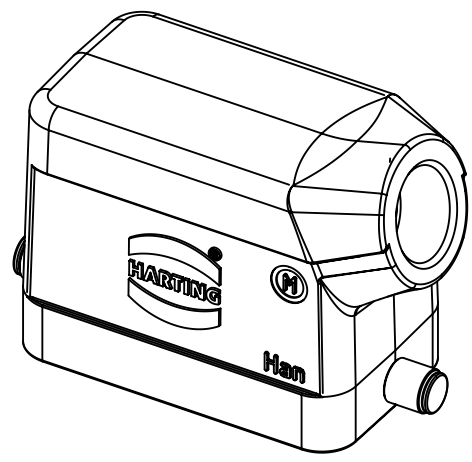
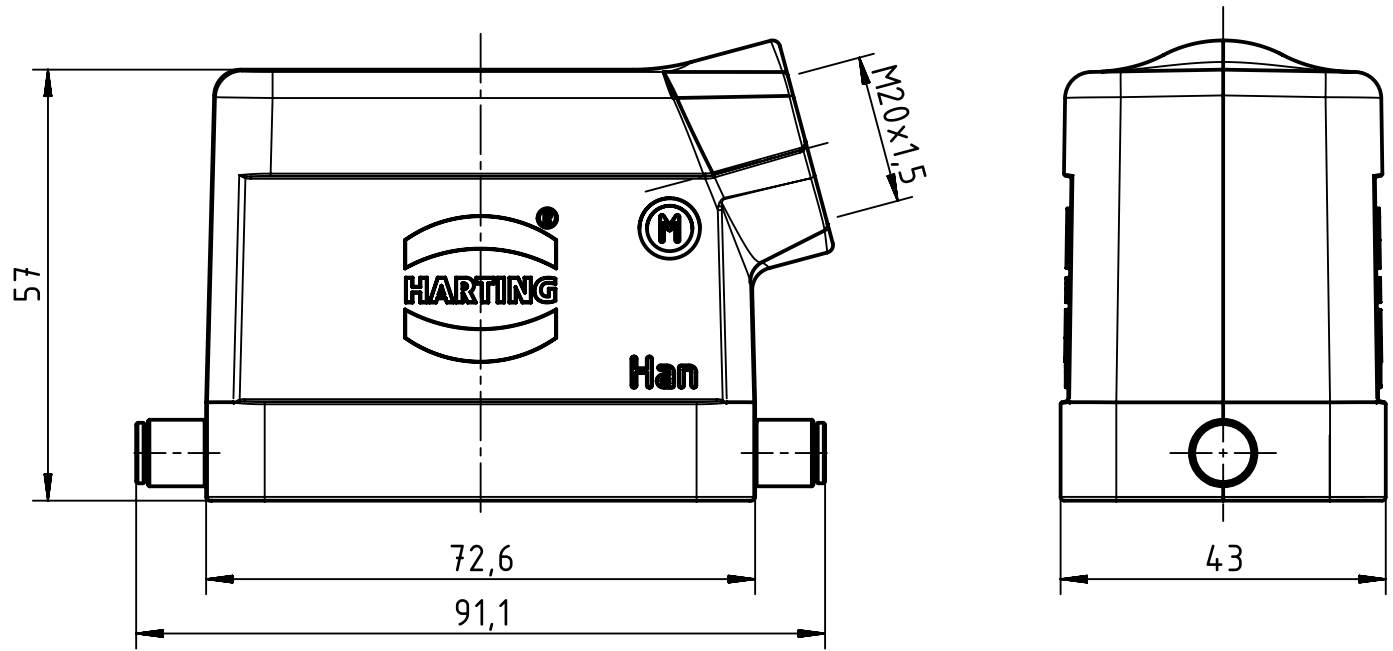
1 2 3 4 5 6

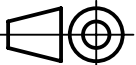
A

B

C

D



	All Dimensions in mm Original Size DIN A4		Scale 1:1	Free size tol.		Ref.		
	All rights reserved		Created by SPRENB	Inspected by BERGHORN	Standardisation TIEMANNA	Date 2015-10-15	State Final Release	
Department EL PD - DE		Title Han B Hood Side Entry LC 2 Reels M20					Doc-Key / ECM-Nr. 100200086/UGD/004/B 500000095422	
HARTING Electric GmbH & Co. KG D-32339 Espelkamp		Type TB	Number 19 30 010 1540			Rev. B	Page 1/1	