

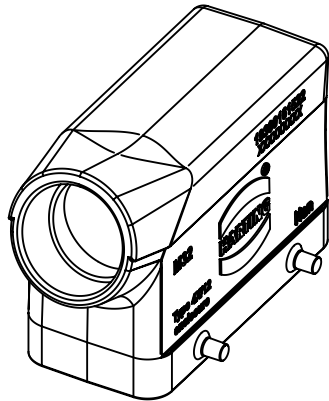
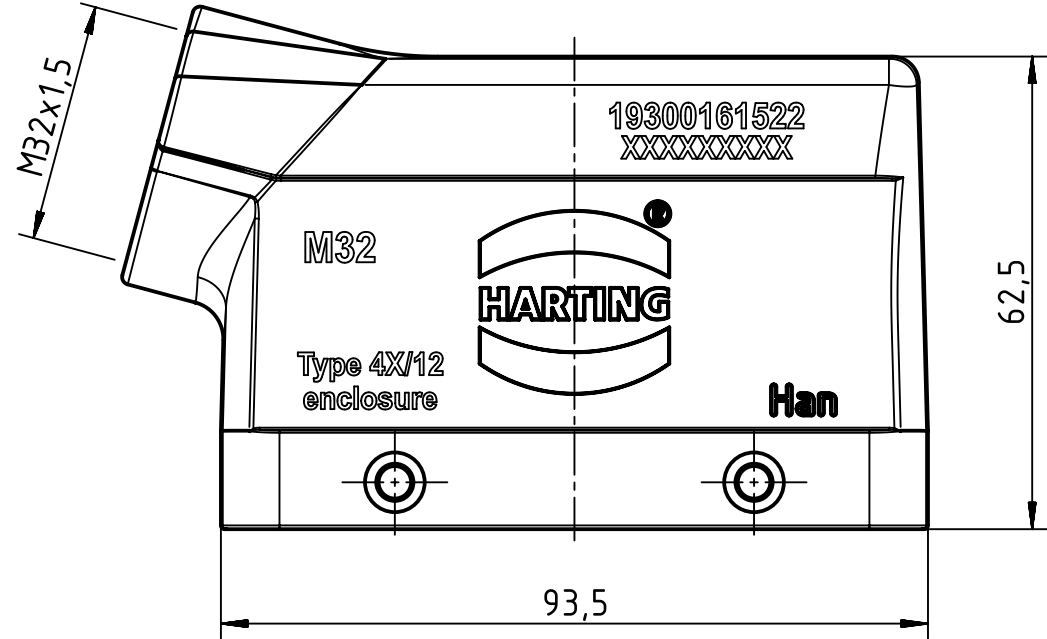
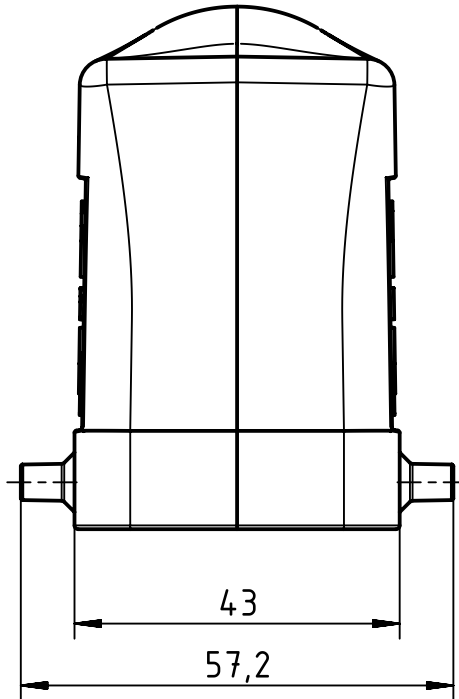
1 2 3 4 5 6

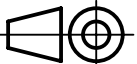

A

B

C

D



 All Dimensions in mm Original Size DIN A4	Scale	Free size tol.			Ref.
	1:1				Sub.
 All rights reserved Department EL PD - DE	Created by	Inspected by	Standardisation	Date	State
	RULLKOETTER	BERGHORN	TIEMANNA	2017-01-11	Final Release
HARTING Electric GmbH & Co. KG D-32339 Espelkamp	Title				Doc-Key / ECM-Nr.
	Han 16B HOOD SIDE ENTRY M32				100183403/UGD/004/C 500000113502
Type	Number	Rev.			Page
TB	19 30 016 1522	C			1/1