

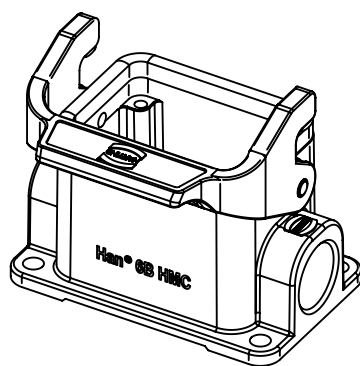
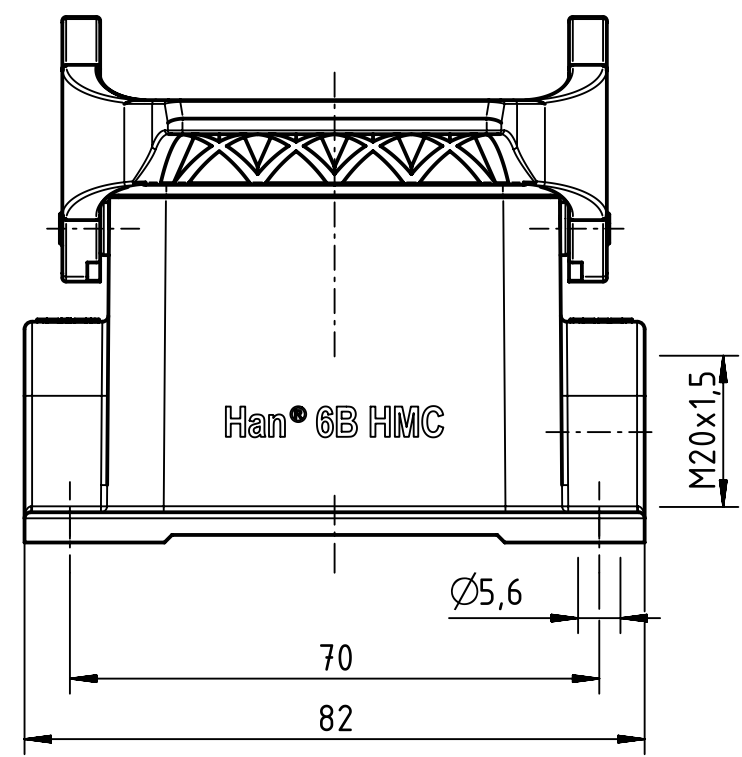
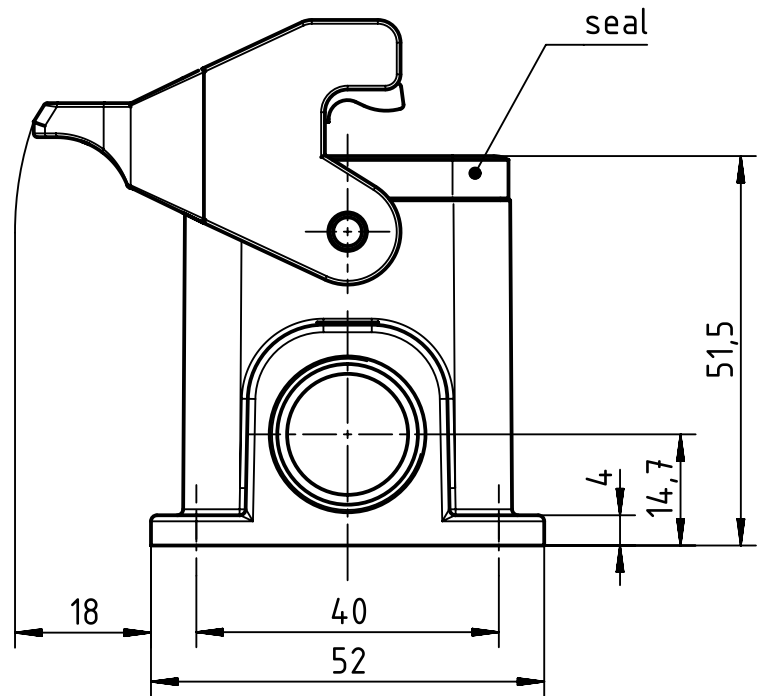
1 2 3 4 5 6

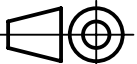

A

B

C

D



	All Dimensions in mm Original Size DIN A4		Scale 1:1	Free size tol.		Ref.		
						Sub.		
	All rights reserved		Created by RULLKOETTER	Inspected by SUNDERMEIER	Standardisation RUETERA	Date 2017-01-24	State Final Release	
	Department EL PD - DE		Title Han 6B-HMC-HSM1-SL-M20				Doc-Key / ECM-Nr. 100705966/UGD/005/A 500000113955	
HARTING Electric GmbH & Co. KG D-32339 Espelkamp			Type TB	Number 19 30 206 1250			Rev. A	Page 1/1