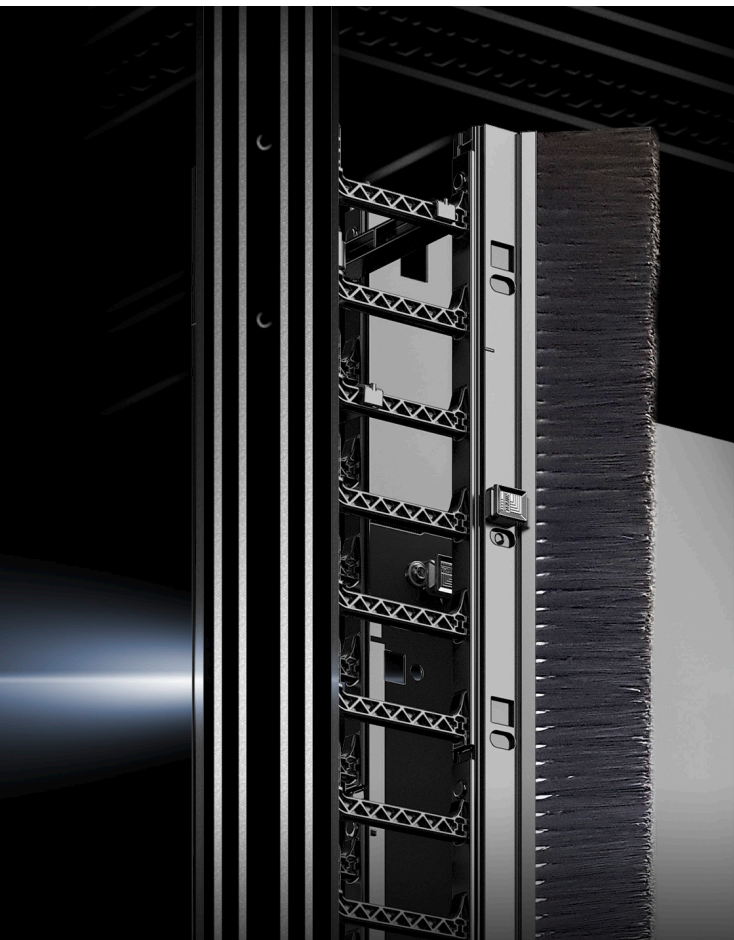


Rittal – The System.

Faster – better – everywhere.



**Bürsten-Kit für Kabelkanal
und Montagerahmen**
**Brush kit for cable duct
and mounting frame**
**Kit de brosses pour goulotte de
câbles et cadre de montage**

DK 5502.103

Montageanleitung
Assembly instructions
Notice de montage

ENCLOSURES

POWER DISTRIBUTION

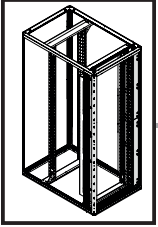
CLIMATE CONTROL

IT INFRASTRUCTURE

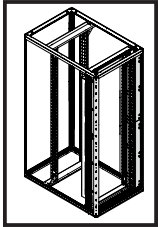
SOFTWARE & SERVICES



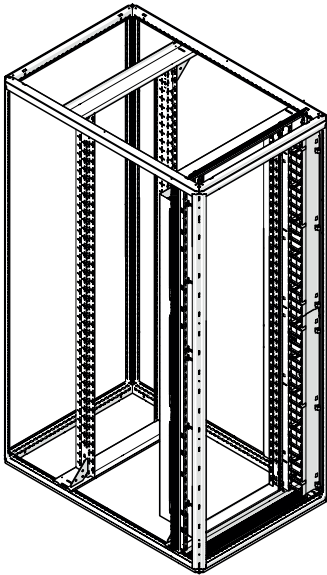
FRIEDHELM LOH GROUP



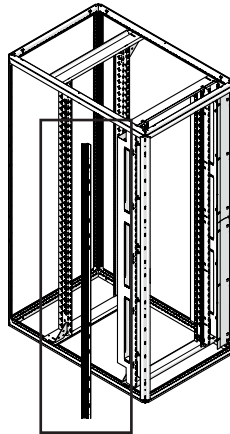
		5502.100
Best.-Nr. DK Model No. DK Référence DK		
	L = 1046	4 x
	L = 705	2 x
		2 x
		2 x
	□ 10,5 x 12,5	8 x
	5 x 12 (TX25)	8 x



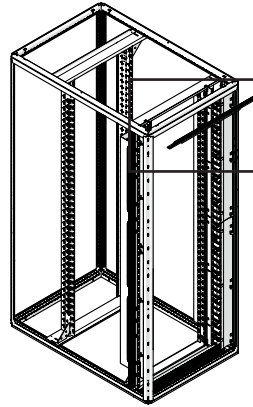
TS IT mit Montagerahmen
TS IT with mounting frame
TS IT avec cadre de montage



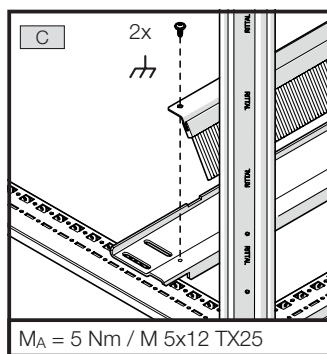
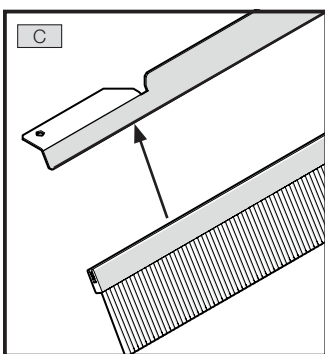
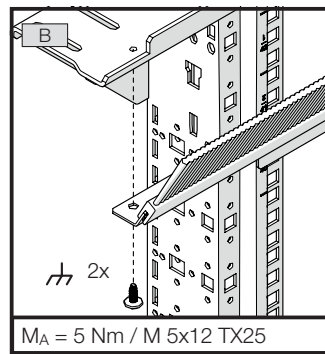
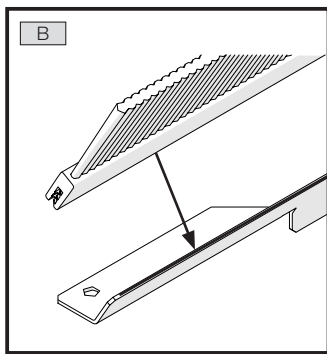
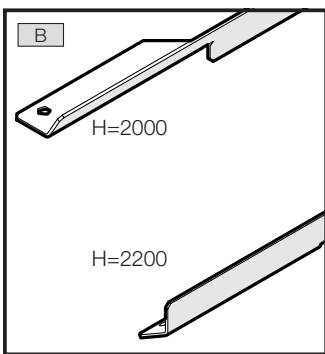
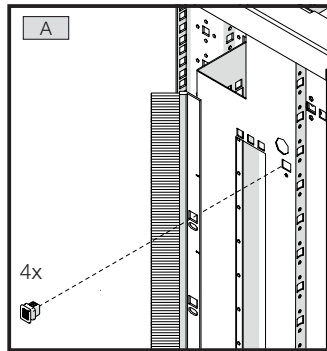
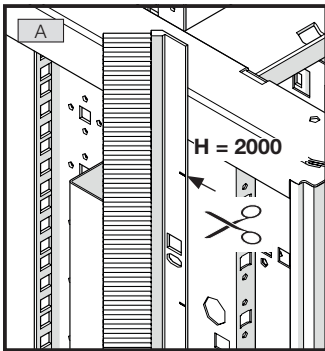
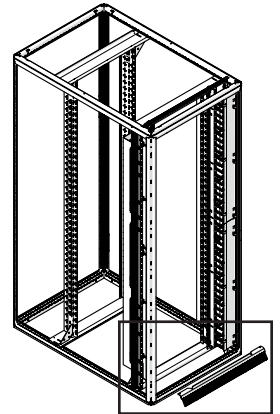
A



B



C



Rittal – The System.

Faster – better – everywhere.

- Enclosures
- Power Distribution
- Climate Control
- IT Infrastructure
- Software & Services

11.2017/338019/D-0000-00001206REV00

You can find the contact details of all Rittal companies throughout the world here.



www.rittal.com/contact

RITTAL GmbH & Co. KG
Postfach 1662 · D-35726 Herborn
Phone +49(0)2772 505-0 · Fax +49(0)2772 505-2319
E-mail: info@rittal.de · www.rittal.com

ENCLOSURES

POWER DISTRIBUTION

CLIMATE CONTROL

IT INFRASTRUCTURE

SOFTWARE & SERVICES



FRIEDHELM LOH GROUP