



SV

9342.220

9342.240



IEC	16 - 35 mm ² (Cu) 3 Nm	10 - 25 mm ² (Cu) 3 Nm	6 x 9 x 0,8 (Cu) 3 Nm
UL	AWG 6 - 2 75 °C copper 44 lb-in	-	-
	12 - 18 mm		

1 SV Anschlussadapter 125A
60 mm Schienenmittenabstand

1 SV Connection adaptor 125A
60 mm busbar centre distance

1 Adaptateur pour raccordements SV 125A
60 mm d'écartement entre les axes des barres

SV9342.240

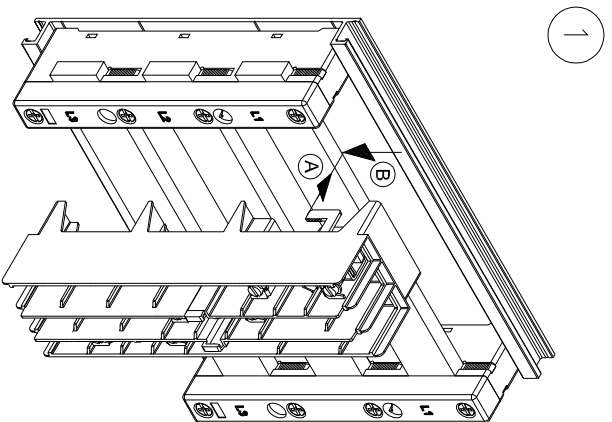
Suitable for use on a circuit capable of delivering not more than 50 kA SCCR symmetrical amperes, 600 volts maximum.

When protected by Class K5 125A Fuses.

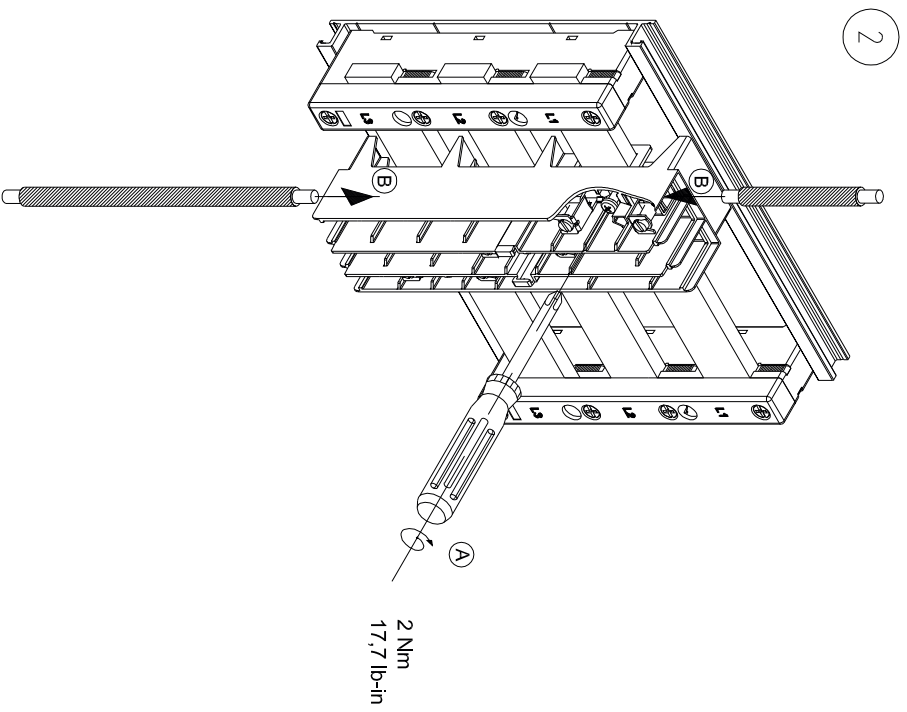
For further information: www.rittal.com

Zchng.-Nr. / No. of dwg.: A3507404SV
Versandbeutel-Nr. / No. of accessory bag: -

Lieferanten-Nr. / No. of supplier: 6895301

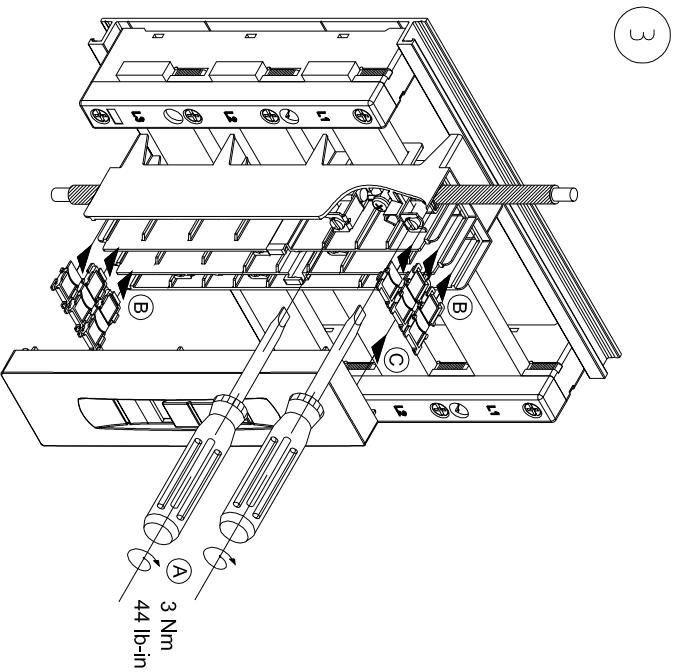


1



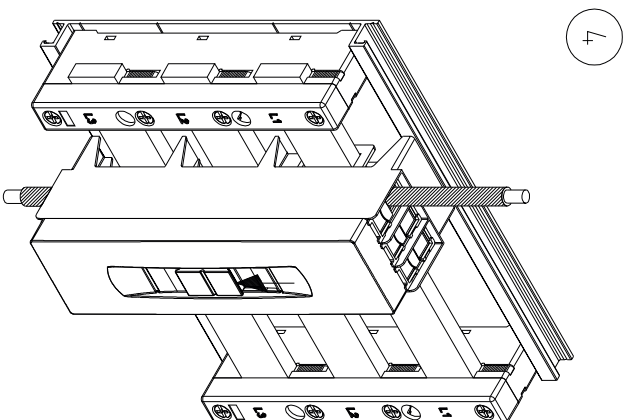
2

2 Nm
17,7 lb-in



3

3 Nm
44 lb-in



4

