

SV

9342.250

9342.270



IEC	35 - 120 mm ² (Cu) 11 Nm		10 x 15,5 x 0,8 (Cu) 11 Nm
UL	AWG 2 - MCM250 75 °C copper 97 lb-in	-	-
	12 - 30 mm		

1 SV Anschlussadapter 250A, 3-polig
60 mm Schienenmittenabstand

1 SV Connection adaptor 250A, 3-pole
60 mm busbar centre distance

1 Adaptateur pour raccordements SV 250A, 3-pôles
60 mm d'écartement entre les axes des barres

Suitable for use on a circuit capable of delivering not more than 50 kA SCCR symmetrical amperes, 600 volts maximum.

When protected by Class K5 250A Fuses.

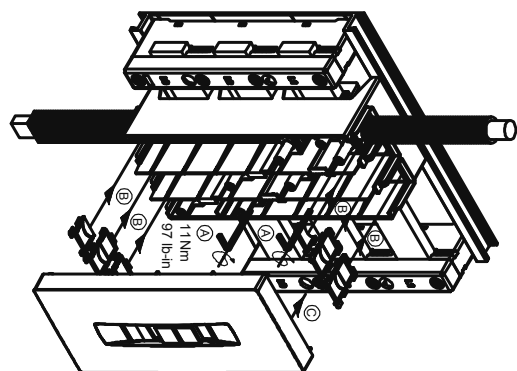
When protected by a circuit breaker having an interrupting rating not less than 50 kA SCCR symmetrical amperes, 600 volts maximum.

Zchng.-Nr. / No. of dwg. : A3505405SV

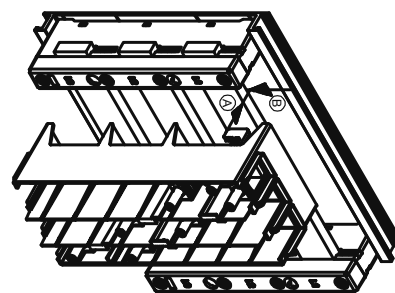
Versandbeutel-Nr. / No. of accessory bag : -

Lieferanten-Nr. / No. of supplier :

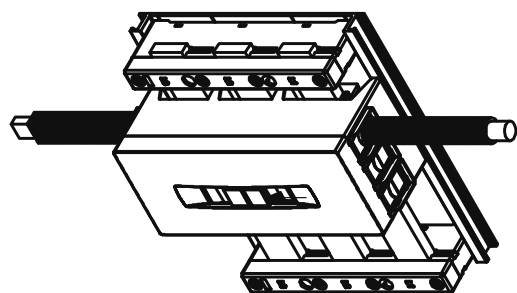
For further information: www.rittal.com



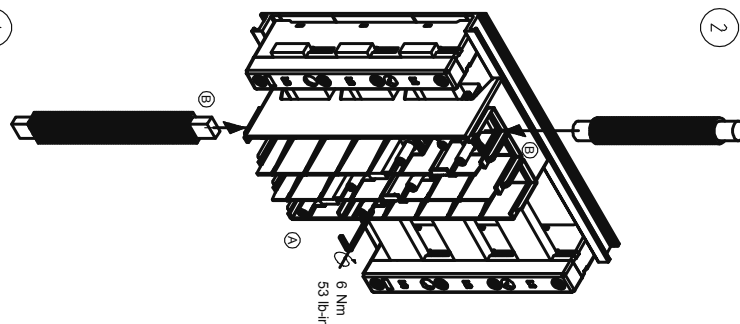
3



1



4



2

