



SV

9342.280

9342.300



IEC	95 - 300 mm ² (Al / Cu) 14 Nm		95 - 185 mm ² (Cu) 14 Nm	6 x 15,5 x 0,8 - 10 x 32 x 1 (Cu) 14 Nm
UL	AWG 4/0 - MCM600 75 °C copper 159 lb-in		-	6 x 15,5 x 0,8 - 10 x 32 x 1 75° C copper 159 lb-in
	30 - 35 mm			30 mm

1 SV Anschlussadapter 800A, 3-polig
60 mm Schienenmittenabstand

1 SV Connection adaptor 800A, 3-pole
60 mm busbar centre distance

1 Adaptateur pour raccordements SV 800A, 3-pôles
60 mm d'écartement entre les axes des barres

SV9342.300

Suitable for use on a circuit capable of delivering not more than 50 kA SCCR symmetrical amperes, 600 volts maximum.

When protected by Class K5 600A Fuses.

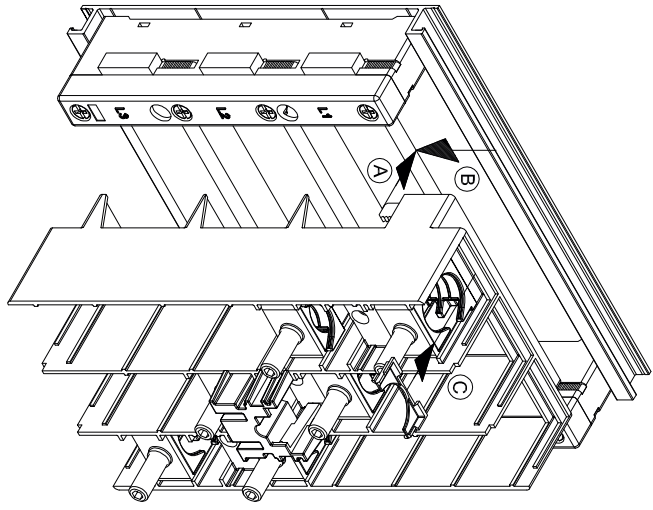
For further information: www.rittal.com

Zchng.-Nr. / No. of dwg.: A3506805SV

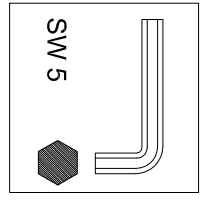
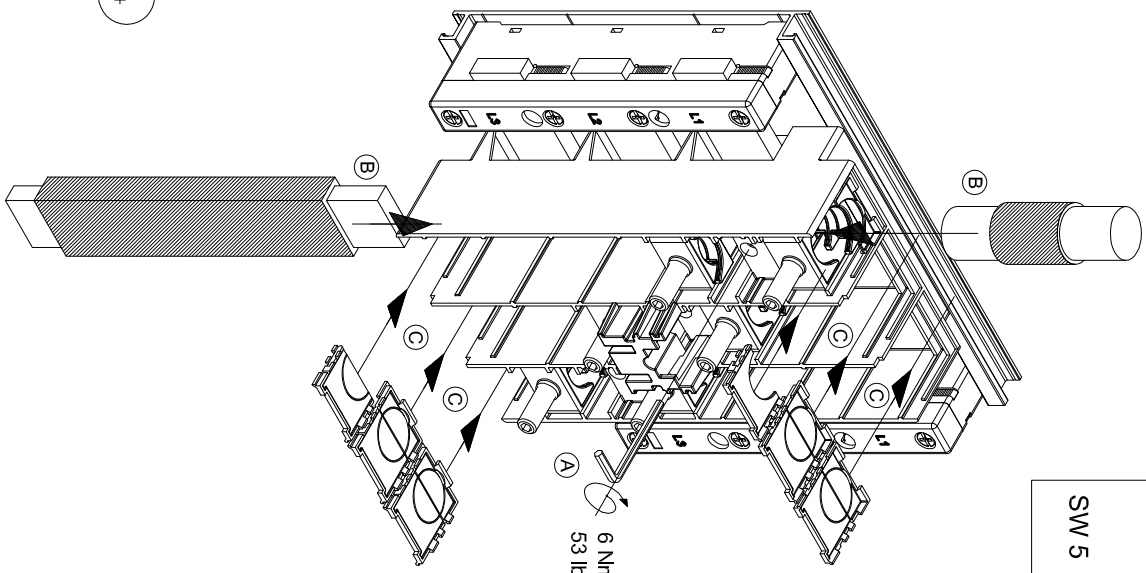
Versandbeutel-Nr. / No. of accessory bag: -

Lieferanten-Nr. / No. of supplier: 6895301

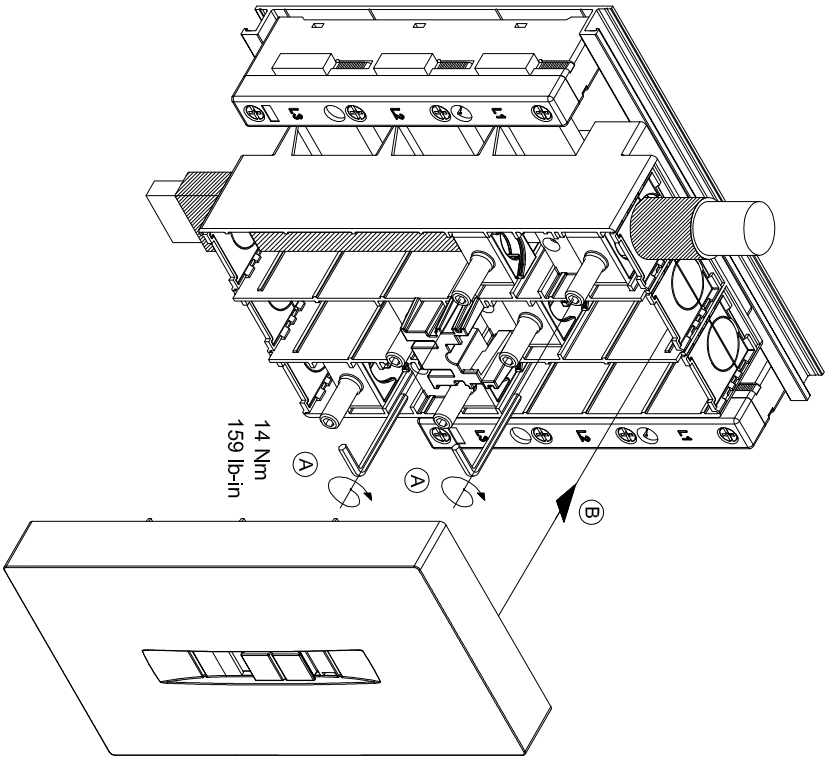
1



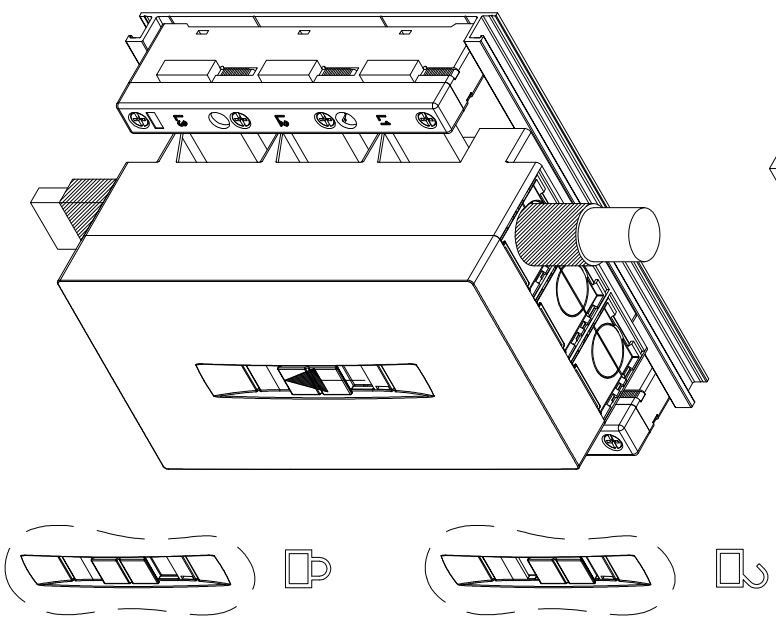
2



3



4



6 Nm
53 lb-in

14 Nm
159 lb-in