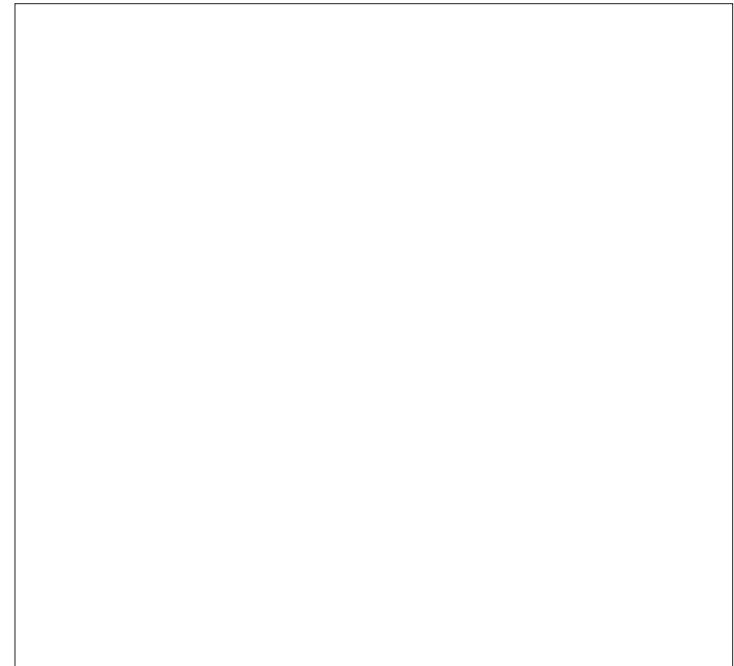




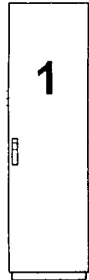
SZ

4127.010
2500.460
2500.470
4315.810
4315.820
5050.510



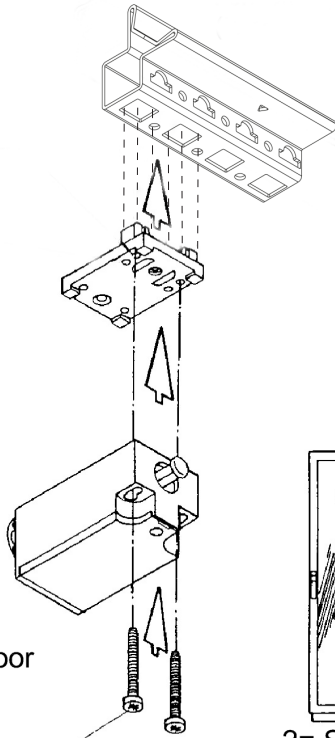
horizontal / vertical

VX (1&2)

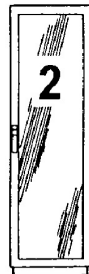


1

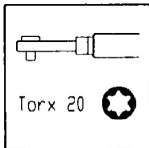
1= Blechtür/
Sheet Metal door



4x35
 $M_A = 2Nm$



2= Sichttür/
Viewing door



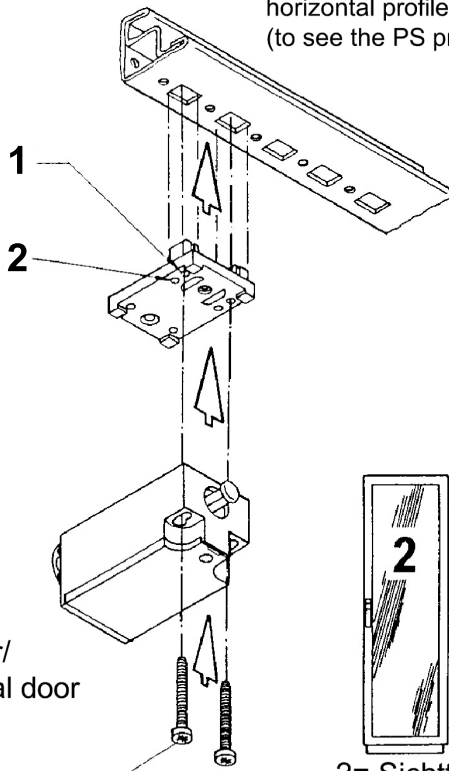
Torx 20

Dok.-Nr. / No of doc.: D-0000-00001366-01
Zchnng.-Nr. / No. of dwg.: A3969406SZ

Lieferanten-Nr. / No. of supplier: 6021440

horizontal
PS (1 & 2)
TS (1)

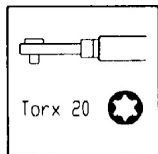
horizontal profile
(to see the PS profile)



1= Blechtür/
Sheet Metal door

2= Sichttür/
Viewing door

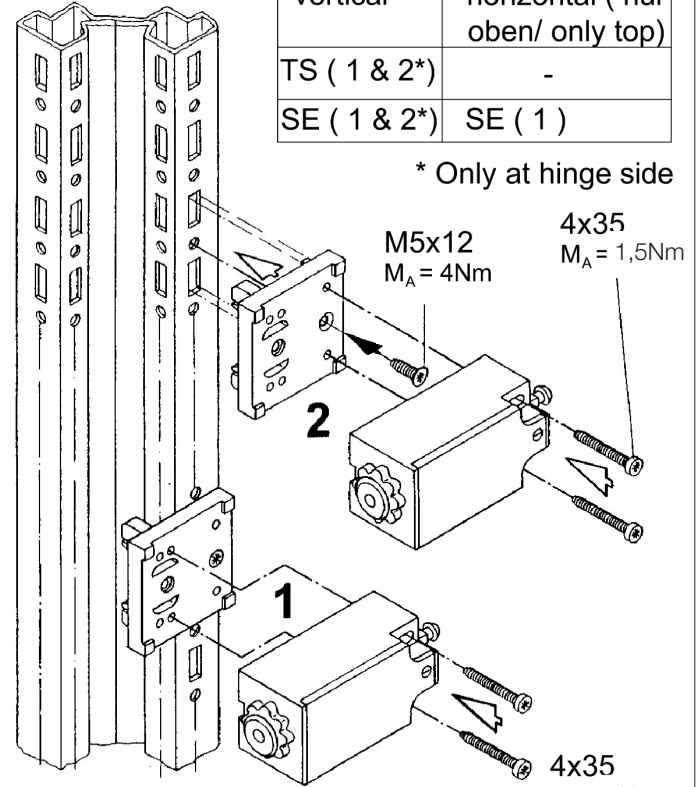
4x35
 $M_A = 2Nm$



vertical/ horizontal profile

vertical	horizontal (nur oben/ only top)
TS (1 & 2*)	-
SE (1 & 2*)	SE (1)

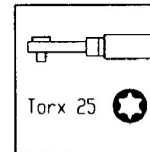
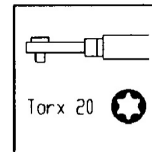
* Only at hinge side



M5x12
 $M_A = 4Nm$

4x35
 $M_A = 1,5Nm$

4x35
 $M_A = 1Nm$



1= Blechtür/
Sheet Metal door
2= Sichttür/
Viewing door