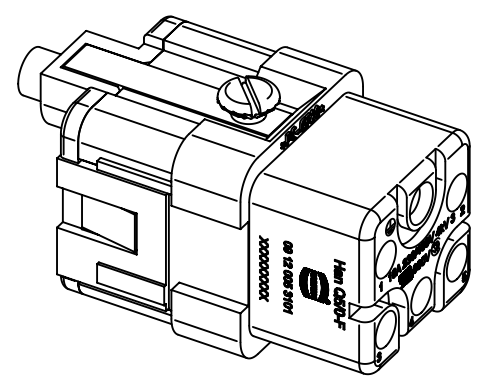


countersunk-head screw
M3x6-4.8, enclosed separately



	All Dimensions in mm Original Size DIN A4		Scale 2:1	Free size tol.		Ref.		
						Sub.		
	All rights reserved		Created by LUPU	Inspected by PRIESTER	Standardisation RUETERA	Date 2018-06-15	State Final Release	
	Department EL PD		Title Han Q 5/0-F				Doc-Key / ECM-Nr. 100125020/UGD/005/D 500000118502	
HARTING Electric GmbH & Co. KG D-32339 Espelkamp			Type TB	Number 09 12 005 3101			Rev. D	Page 1/1