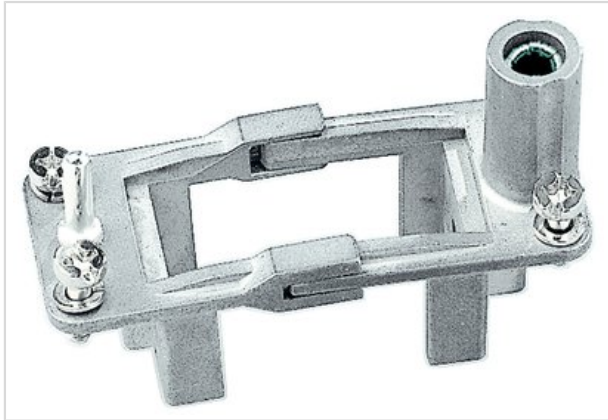


## Han 10A Halterahmen für 1 Modul



Part number	09 14 000 0304
Specification	Han 10A Halterahmen für 1 Modul
HARTING eCatalogue	<a href="https://b2b.harting.com/09140000304">https://b2b.harting.com/09140000304</a>

### Identification

Category	Accessories
Type of accessory	Frame
Description of the accessory	for 1 module In housing Han <sup>®</sup> 10 A

### Material properties

Material (accessories)	Zinc die-cast
RoHS	compliant with exemption
RoHS exemptions	6c: Copper alloy containing up to 4 % lead by weight
ELV status	compliant with exemption
China RoHS	50
REACH Annex XVII substances	No
REACH ANNEX XIV substances	No
REACH SVHC substances	Yes
REACH SVHC substances	Lead

### Commercial data

Packaging size	2
Net weight	39.38 g
Country of origin	Germany
European customs tariff number	85389099