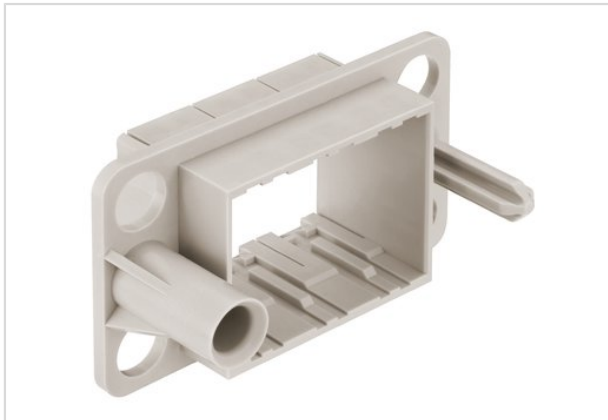


Docking Frame For 3 Modules-M



Part number	09 14 010 1701
Specification	Docking Frame For 3 Modules-M
HARTING eCatalogue	https://b2b.harting.com/09140101701

Identification

Category	Accessories
Series	Han-Modular®
Type of accessory	Docking frame
Description of the accessory	Float mount for 3 modules A ... C

Technical characteristics

Limiting temperature	-40 ... +125 °C
Mating cycles	≥500
Mating cycles with other HMC components	≥10,000
Degree of protection acc. to IEC 60529	IP20
Floating tolerance	±2 mm
Lock-in range	±4 mm

Material properties

Material	Polycarbonate
Material flammability class acc. to UL 94	V-0
RoHS	compliant
ELV status	compliant
China RoHS	e
REACH Annex XVII substances	No
REACH ANNEX XIV substances	No
REACH SVHC substances	No

Specifications and approvals

Specifications	EN 60664-1 IEC 61984
----------------	-------------------------



Pushing Performance

Commercial data

Packaging size	2
Net weight	20.5 g
Country of origin	Germany
European customs tariff number	85389099
