

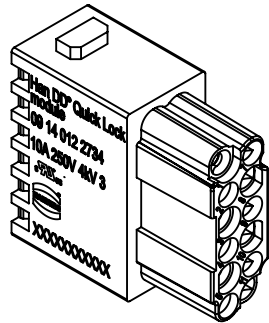
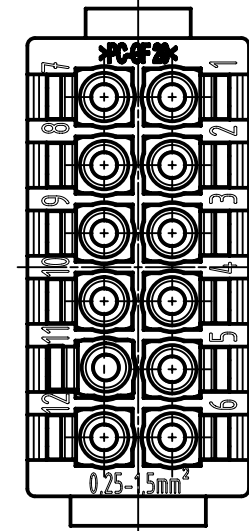
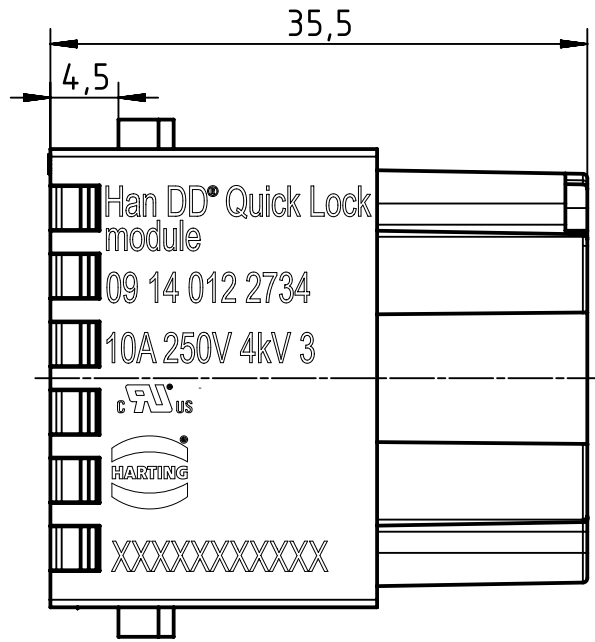
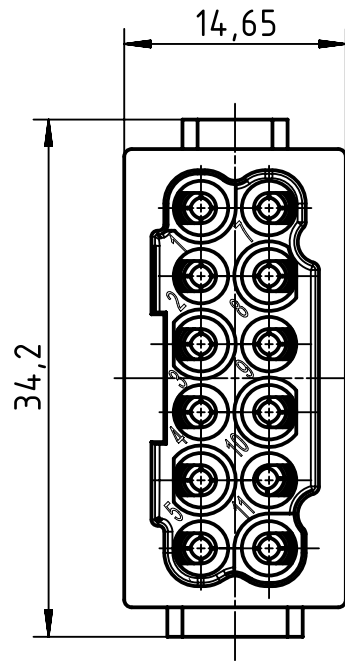
1 2 3 4 5 6

A

B

C

D



	All Dimensions in mm Original Size DIN A4		Scale 2:1	Free size tol.		Ref.		
						Sub.		
	All rights reserved		Created by HELLMANN	Inspected by RIEPE	Standardisation TIEMANNA	Date 2019-03-08	State Final Release	
	Department EL PD		Title Han DD Quick-Lock module, female Au				Doc-Key / ECM-Nr. 100223266/UGD/003/C 50000014.8618	
HARTING Electric GmbH & Co. KG D-32339 Espelkamp			Type TB	Number 09 14 012 2734			Rev. C	Page 1/1