

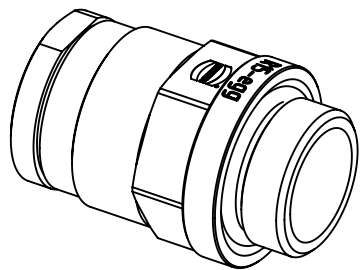
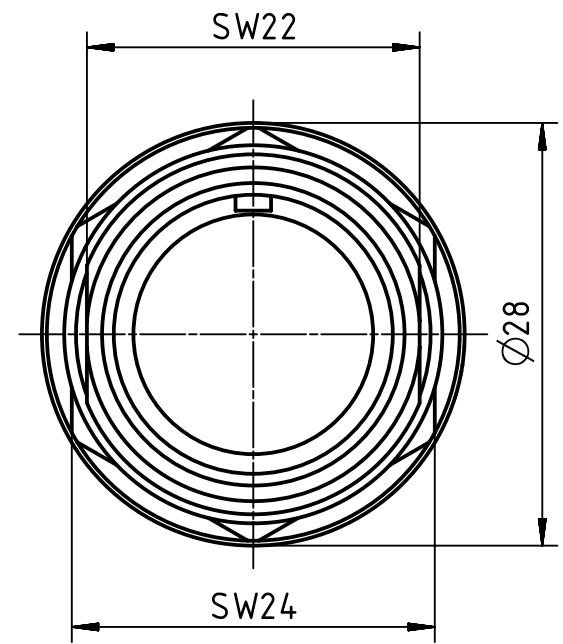
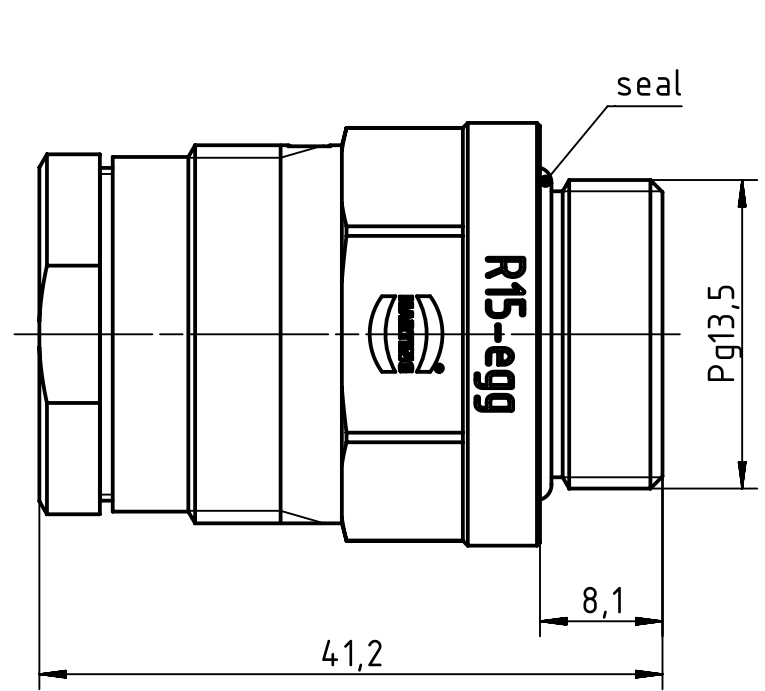
1 2 3 4 5 6

A

B

C

D



	All Dimensions in mm Original Size DIN A4		Scale 2:1	Free size tol.		Ref.
						Sub.
	All rights reserved		Created by HELLMANN	Inspected by BERGHORN	Standardisation TIEMANNA	Date 2019-01-23
	Department EL PD					State Final Release
HARTING Electric GmbH & Co. KG D-32339 Espelkamp			Title R 15-EG-13,5-AL			Doc-Key / ECM-Nr. 100111010/UGD/005/A 500000145302
			Type TB	Number 09 15 000 0121		Rev. A Page 1/1