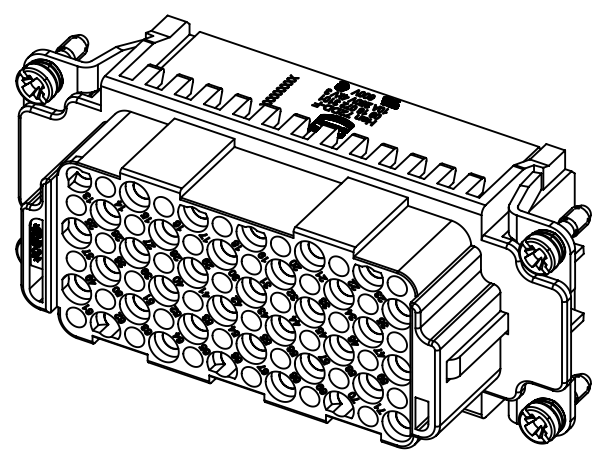
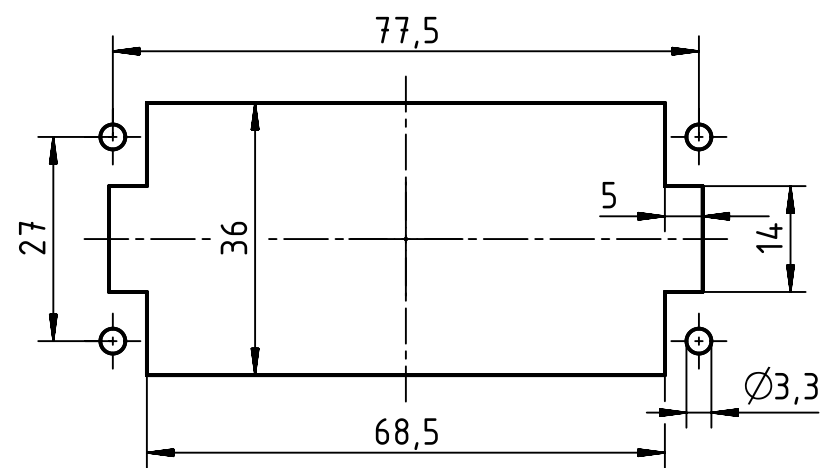


panel cut out



	All rights reserved Department EL PD HARTING Electric GmbH & Co. KG D-32339 Espelkamp	All Dimensions in mm Original Size DIN A4		Scale 1:1	Free size tol.	Ref. Sub.
		Created by LUPU	Inspected by PRIESTER	Standardisation RUETERA	Date 2018-12-06	State Final Release
Title Han 72 DD-BU-C					Doc-Key / ECM-Nr. 100216568/UGD/003/C 500000118771	
Type TB				Number 09 16 072 3101		Rev. C
						Page 1/1