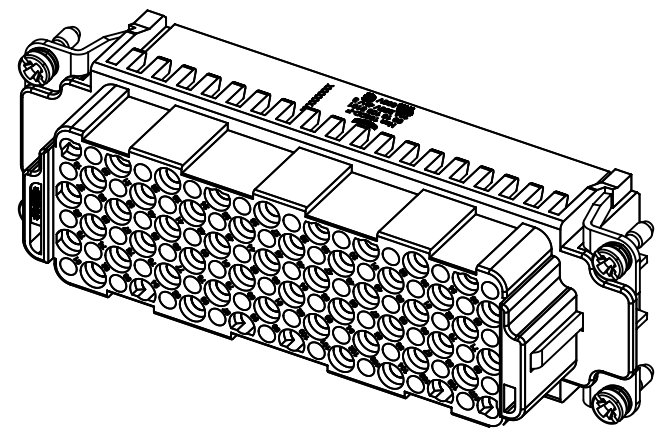
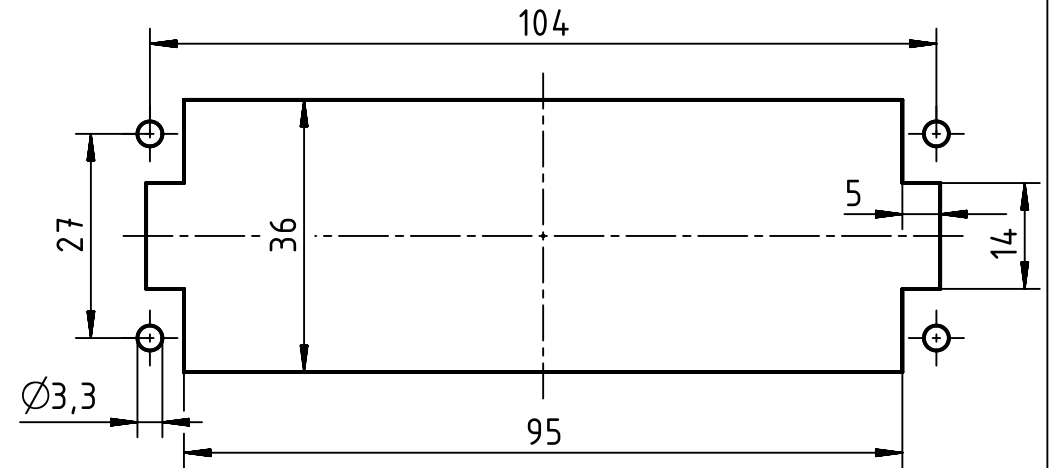



panel cut out



	All Dimensions in mm Original Size DIN A4		Scale 1:1	Free size tol.		Ref.
	All rights reserved Department EL PD		Created by LUPU	Inspected by PRIESTER	Standardisation RUETERA	Sub.
HARTING Electric GmbH & Co. KG D-32339 Espelkamp		Title Han 108 DD-BU-C			Date 2018-12-07	State Final Release
		Type TB	Number 09 16 108 3101		Doc-Key / ECM-Nr. 100216545/UGD/003/C 500000119028	Rev. C
					Page 1/1	