

1 2 3 4 5 6

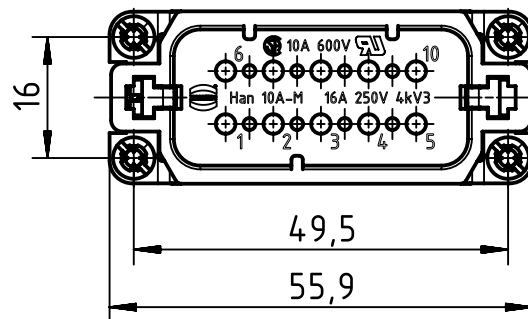
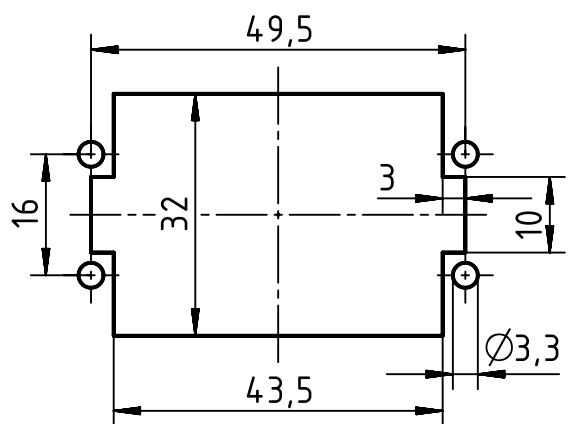
A

B

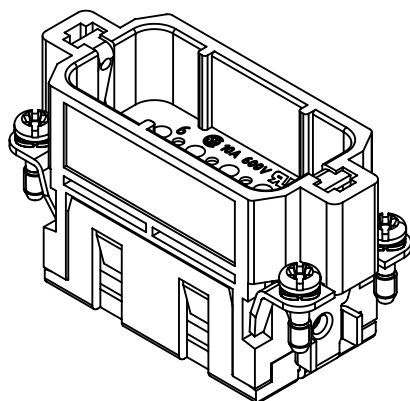
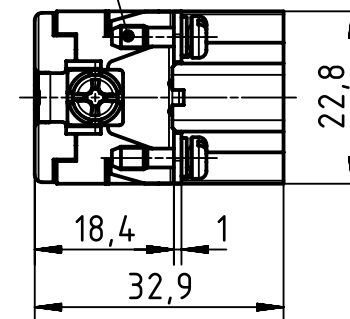
C

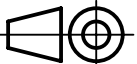

D

panel cut out



M3x10



	All Dimensions in mm Original Size DIN A4		Scale 1:1	Free size tol.		Ref.
						Sub.
	All rights reserved		Created by SPRENB	Inspected by BERGHORN	Standardisation RUETERA	Date 2018-12-20
	Department EL PD					State Final Release
HARTING Electric GmbH & Co. KG D-32339 Espelkamp			Title Han 10A-STI-C		Doc-Key / ECM-Nr. 100087375/UGD/007/C 500000144812	
			Type TB	Number 09 20 010 3001		Rev. C
					Page 1/1	