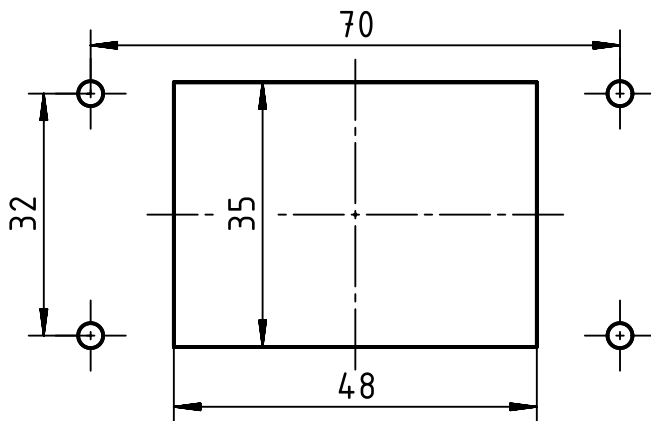
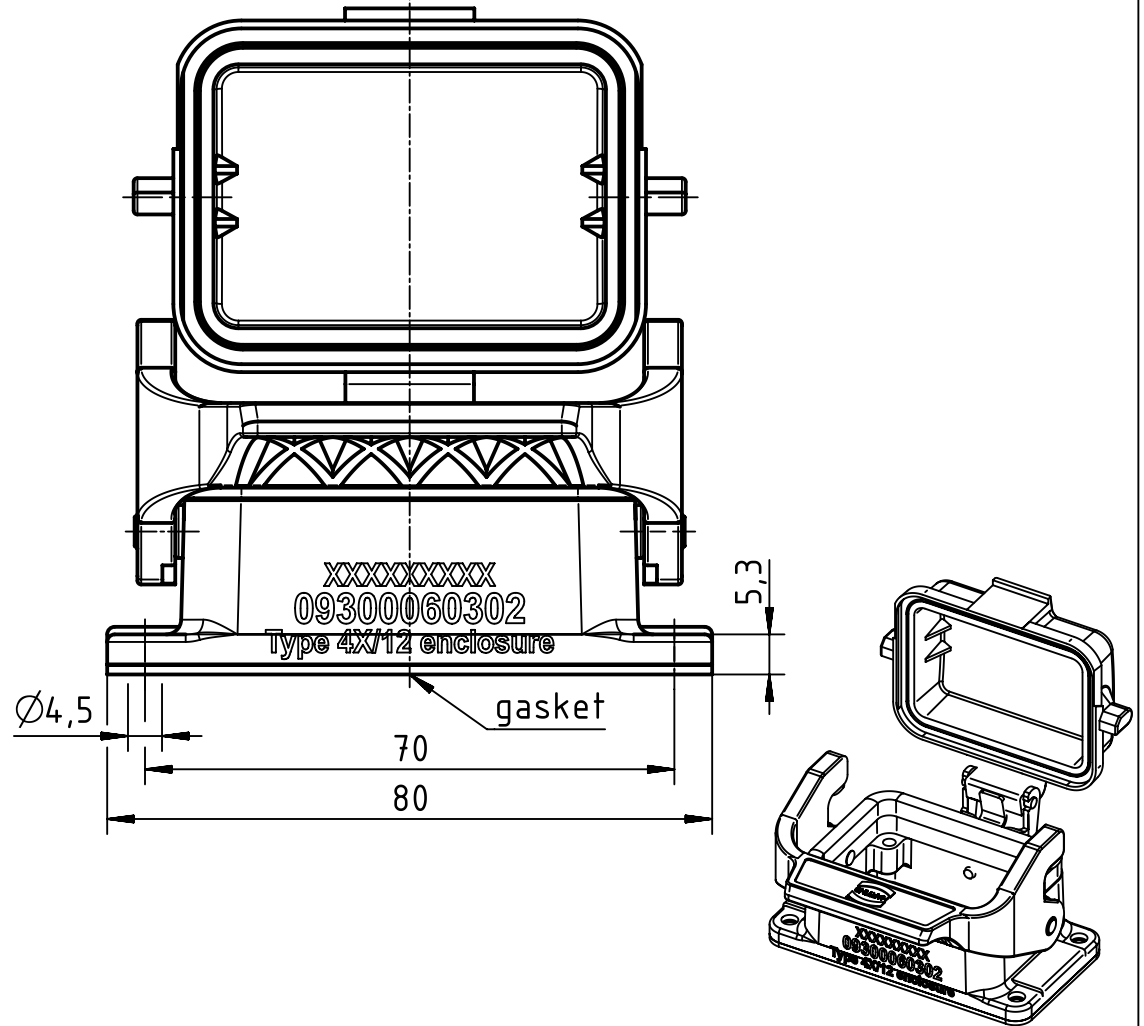



panel cut out



	All rights reserved		Created by FINKEV		Inspected by BERGHORN		Standardisation TIEMANNA		Date 2016-09-19		State Final Release	
	Department EL PD		Title Han B Base Panel 1 Lever Thermoplastic C		Number 09 30 006 0302		Doc-Key / ECM-Nr. 100180049/UGD/004/C 500000109044		Rev. C		Page 1/1	
HARTING Electric GmbH & Co. KG D-32339 Espelkamp			Scale 1:1		Free size tol.		Ref.		Sub.			
			All Dimensions in mm Original Size DIN A4									