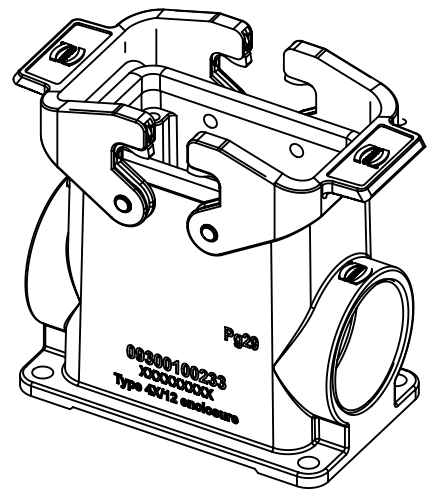
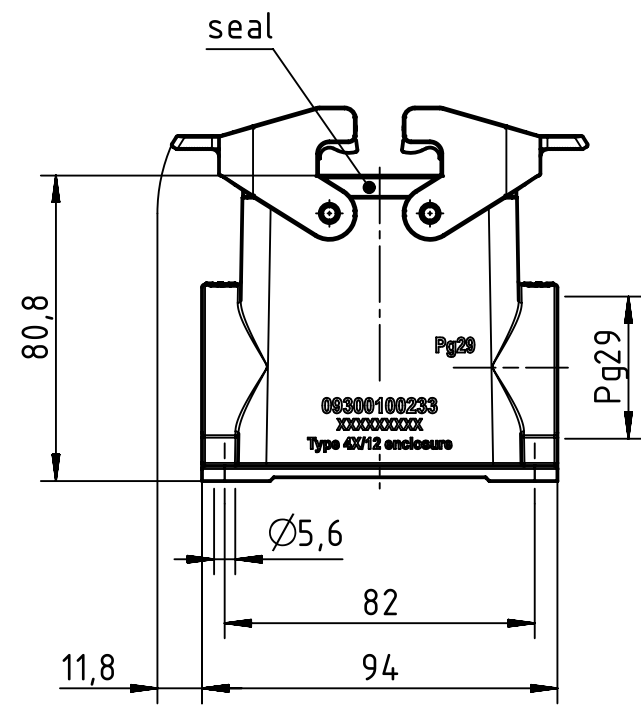
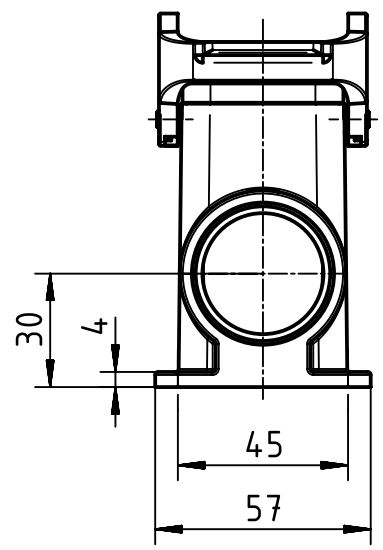


A

B

C

D



Coating	A=	mm ²	V=	mm ³	m=	g	Mat.
	All Dimensions in mm Original Size DIN A4		Scale 1:2	Free size tol.			Ref.
	All rights reserved Department EL PD - DE		Created by RULLKOETTER	Inspected by BERGHORN	Standardisation TIEMANNA	Date 2016-05-23	State Final Release
HARTING Electric GmbH & Co. KG D-32339 Espelkamp			Title Han 10B-asg1-QB-29			Doc-Key / ECM-Nr. 100208947/UGD/004/C 500000101991	
			Type TB	Number 09 30 010 0233			Rev. C Page 1/1