

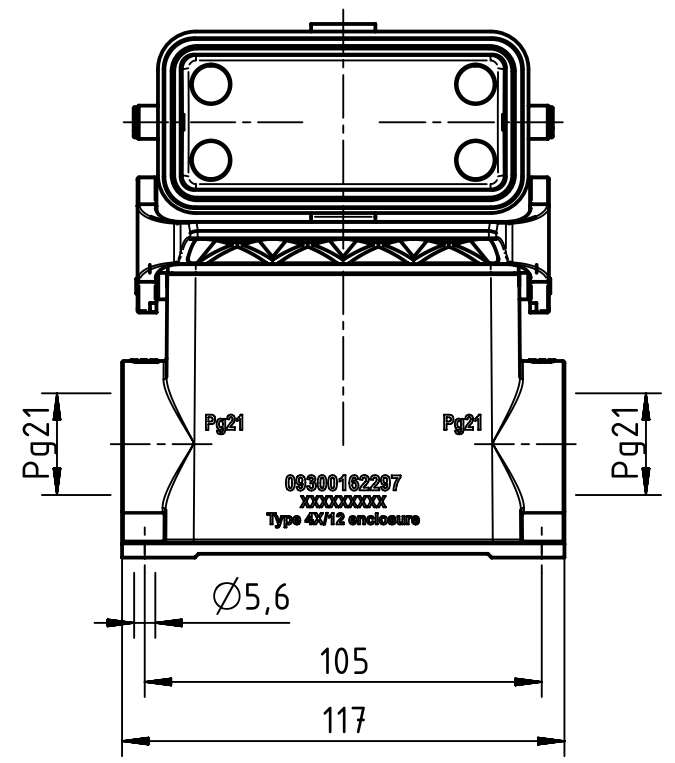
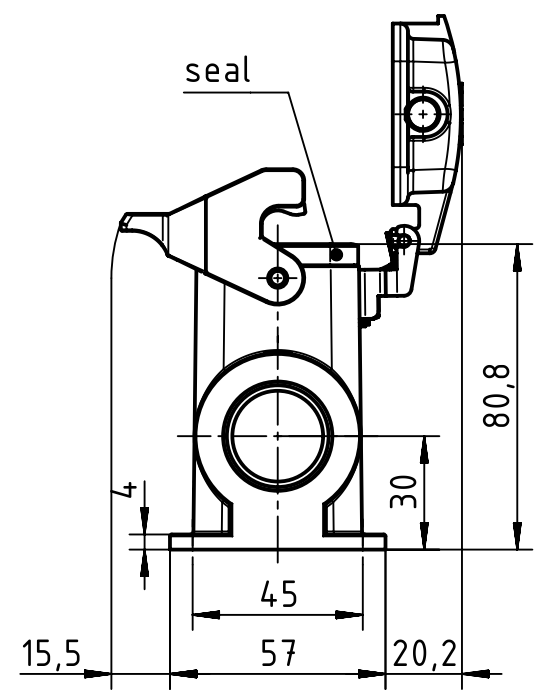
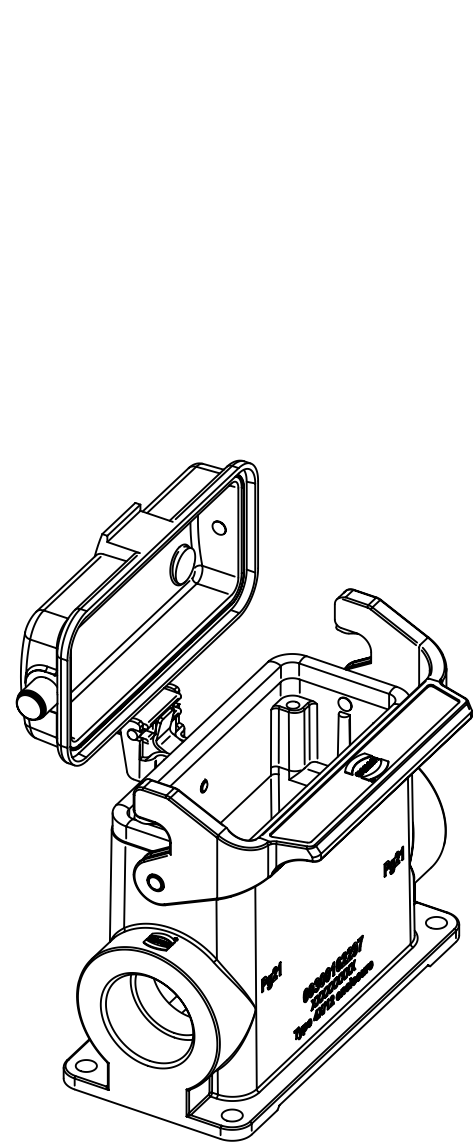
1 2 3 4 5 6

A

B

C

D



	All rights reserved Department EL PD	All Dimensions in mm Original Size DIN A4		Scale 1:2	Free size tol.	Ref. Sub.
		HARTING Electric GmbH & Co. KG D-32339 Espelkamp	Created by RULLKOETTER	Inspected by BERGHORN	Standardisation TIEMANNA	Date 2016-07-19
Title Han B Base Surface HC 1 Lever Metal Cove						Doc-Key / ECM-Nr. 100088045/UGD/006/C 500000104270
Type TB				Number 09 30 016 2297		Rev. C
						Page 1/1