

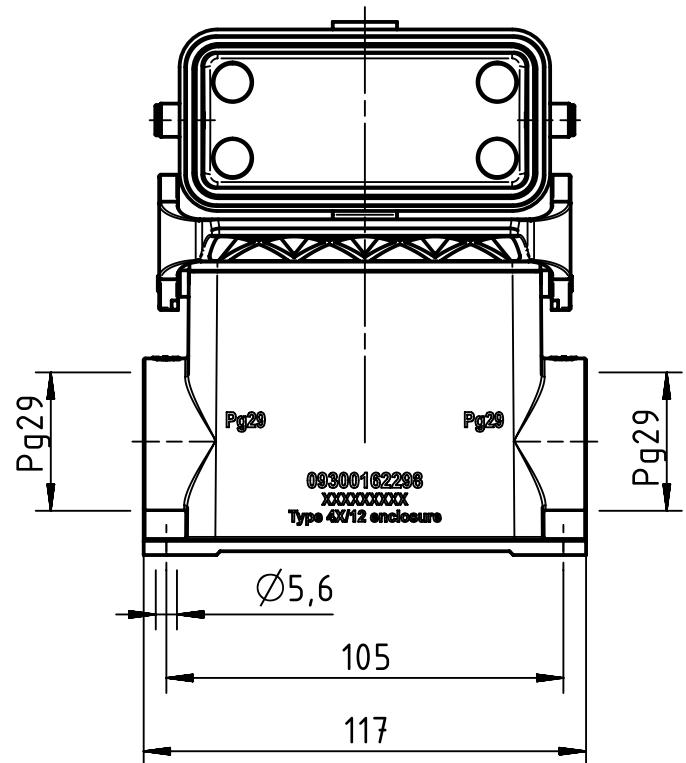
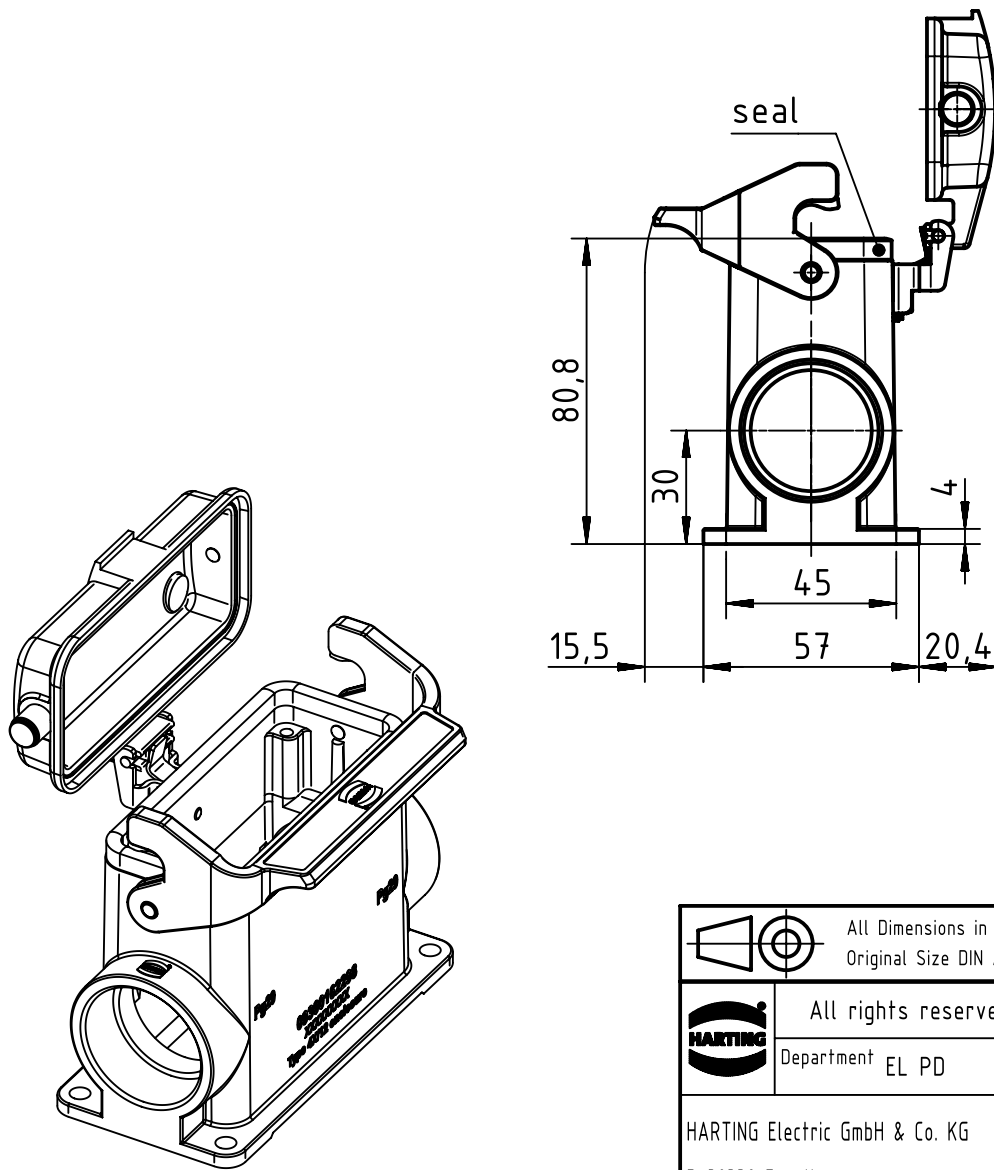
1 2 3 4 5 6

A

B

C

D



	All Dimensions in mm Original Size DIN A4		Scale 1:1	Free size tol.		Ref.
						Sub.
	All rights reserved		Created by RULLKOETTER	Inspected by BERGHORN	Standardisation TIEMANNA	Date 2016-07-19
	Department EL PD		Title Han 16B-asg2-LB-K-29 (AK in Al)			State Final Release
HARTING Electric GmbH & Co. KG D-32339 Espelkamp			Type TB	Number 09 30 016 2298		Doc-Key / ECM-Nr. 100088046/UGD/005/C 500000104270
					Rev. C	Page 1/1