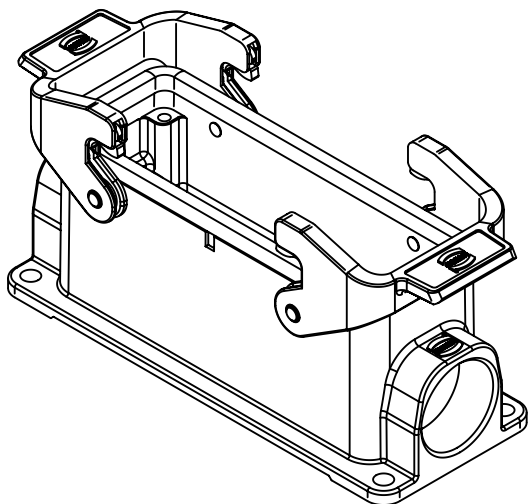


09300241230
 XXXXXXXX
 Type 4X/12 enclosure



	All rights reserved Department EL PD HARTING Electric GmbH & Co. KG D-32339 Espelkamp	All Dimensions in mm Original Size DIN A4		Scale 1:1	Free size tol.	Ref. Sub. TB 09 30 024 1230 v. 26.07.99	
		Created by HOLLERT	Inspected by BERGHORN	Standardisation TIEMANNA	Date 2016-09-14	State Final Release	
Title Han B Base Surface LC 2 Levers 1xPg21						Doc-Key / ECM-Nr. 100119460/UGD/006/B 500000103981	
Type TB				Number 09 30 024 1230		Rev. B	Page 1/1