

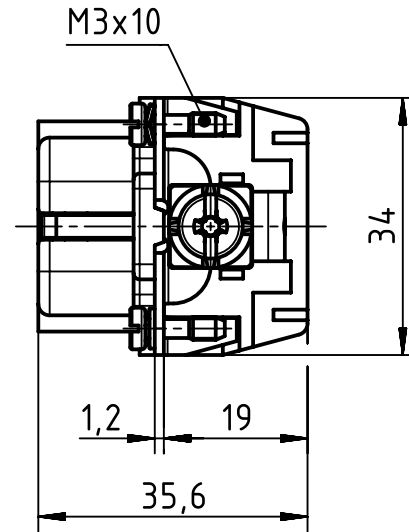
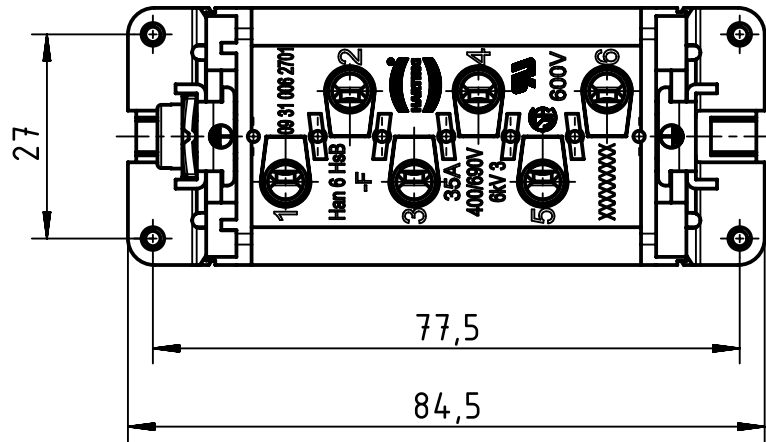
1 2 3 4 5 6

A

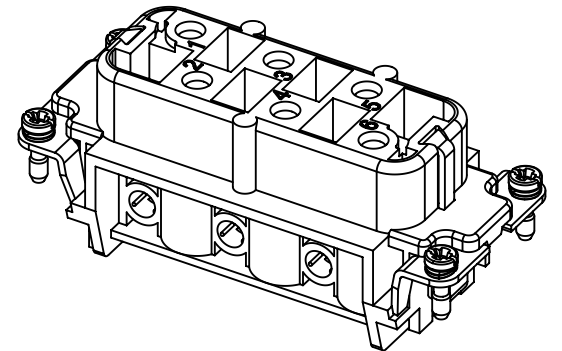
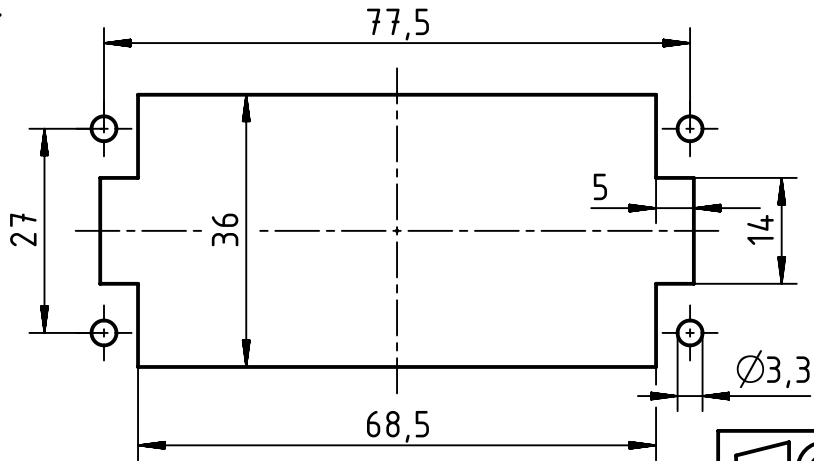
B


C

D



panel cut out



| | | | | | | |
|---|--|--|--------------------------|----------------------------|--|------------------------|
|  | All rights reserved Department EL PD HARTING Electric GmbH & Co. KG D-32339 Espelkamp | All Dimensions in mm Original Size DIN A4 | | Scale 1:1 | Free size tol. | Ref. Sub. |
| | | Created by LUPU | Inspected by PRIESTER | Standardisation RUETERA | Date 2019-01-16 | State Final Release |
| Title Han 6HsB-F-S | | | | | Doc-Key / ECM-Nr. 100129659/UGD/004/E 500000118542 | |
| Type TB | | | Number 09 31 006 2701 | | Rev. E | Page 1/1 |