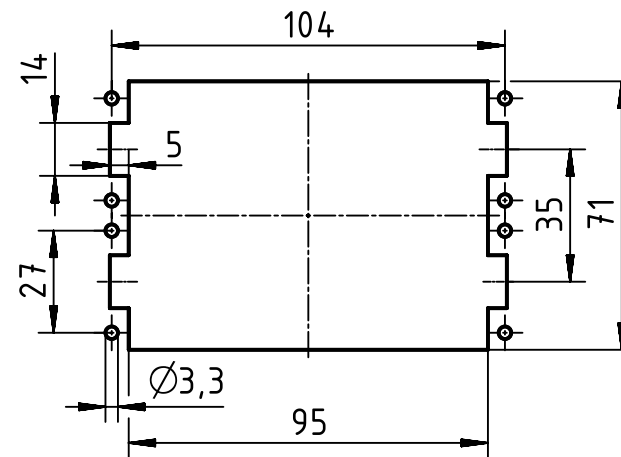


panel cut out (1:2)



	All Dimensions in mm Original Size DIN A4		Scale 1:1	Free size tol.		Ref.	
	All rights reserved Department EL PD		Created by BALSAN	Inspected by PRIESTER	Standardisation RUETERA	Sub.	
HARTING Electric GmbH & Co. KG D-32339 Espelkamp		Title Han EE 46 Pos. Female Crimp Term (47-92)			Date 2018-06-06	State Final Release	
		Type TB	Number 09 32 046 3111			Doc-Key / ECM-Nr. 100129868/UGD/016/D 500000127363	
						Rev. D	Page 1/1