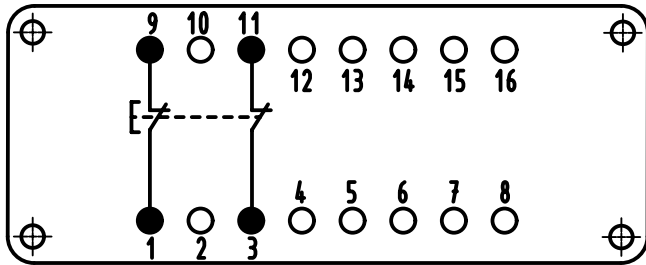
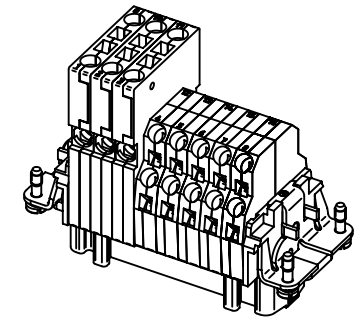
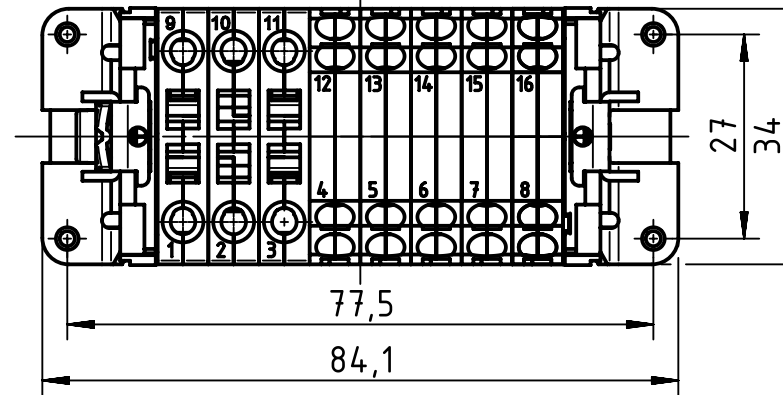
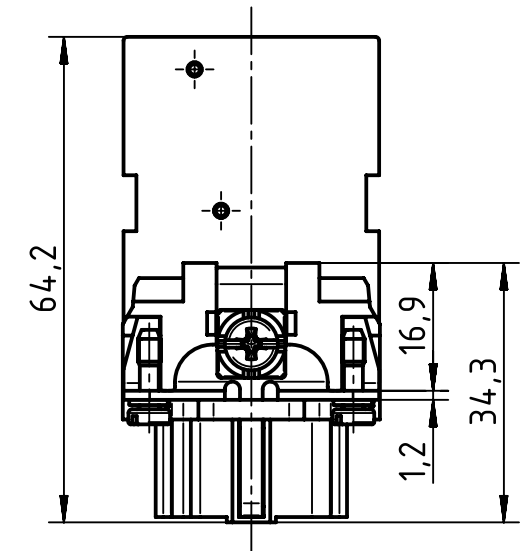
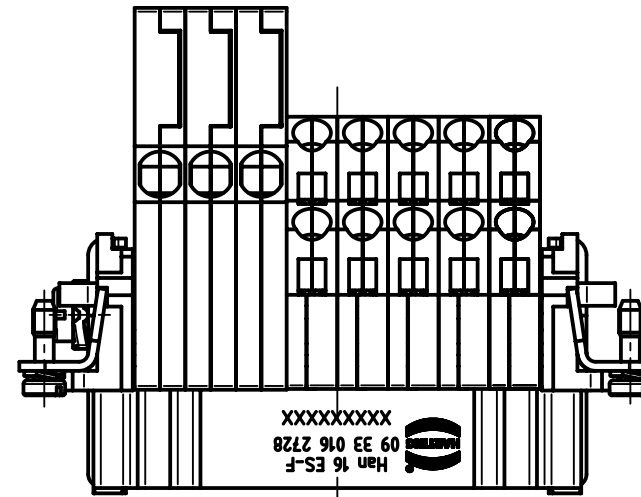
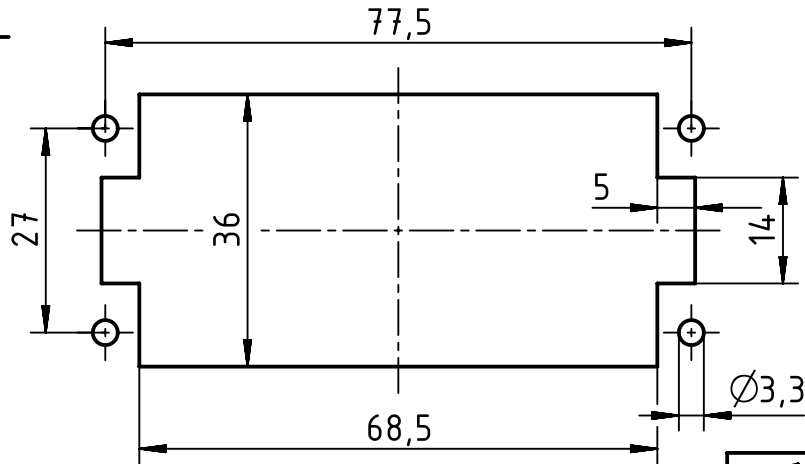



1 2 3 4 5 6

wiring diagram



panel cut out



	All rights reserved Department EL PD HARTING Electric GmbH & Co. KG D-32339 Espelkamp	All Dimensions in mm Original Size DIN A4		Scale 1:1	Free size tol.	Ref. Sub.	
		Created by BALSAN	Inspected by PRIESTER	Standardisation GARSKE	Date 2019-01-15	State Final Release	Doc-Key / ECM-Nr. 100130092/UGD/003/D 500000127364
Title Han ES 16 Pos. F Insert Cage Clamp Term				Type TB	Number 09 33 016 2728	Rev. D	Page 1/1