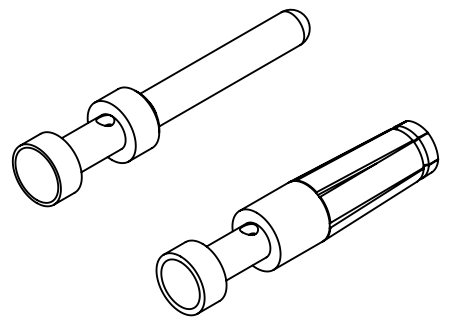


Part no. 09 33 800		Ø	Wire gauge		Stripping length	Identification	Recommended crimping tools			
silver plated			mm ²	AWG			09 99 000 0888	09 99 000 0001	09 99 000 0110	09 99 000 0021
male contact	female contact				7,5					
6121	6220	1,15	0,5	20	7,5	no groove	X	X	X	X
6114	6214	1,3	0,75	18		1 groove $\text{\textcircled{1}}$	X	X	X	X
6105	6205	1,45	1			1 groove	X	X	X	X
6104	6204	1,75	1,5	16		2 grooves	X	X	X	X
6102	6202	2,25	2,5	14		3 grooves	X	X	X	X



	All rights reserved		Scale 2:1	Free size tol.		Ref.		
	Department EL PD		Created by FINKEV	Inspected by NICHTERLEIN	Standardisation RUETERA	Date 2019-01-18	State Final Release	
HARTING Electric GmbH & Co. KG D-32339 Espelkamp			Title Han E High Temp contacts male/female				Doc-Key / ECM-Nr. 100698959/UGD/000/A 500000145820	
			Type TB	Number 09 33 800 6XXX			Rev. A	Page 1/1