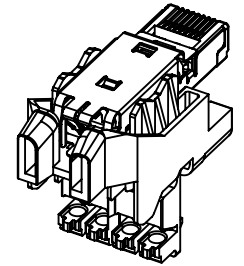
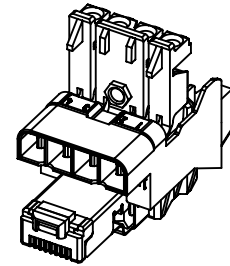
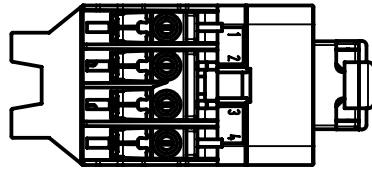
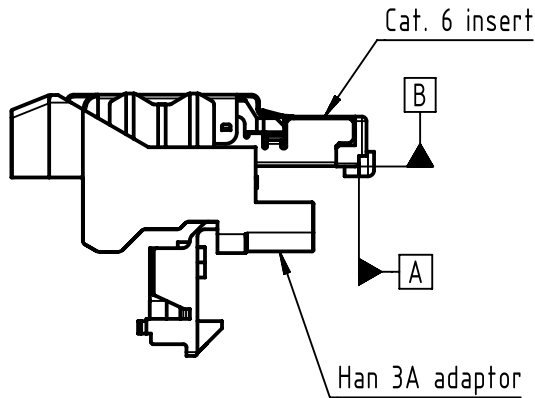
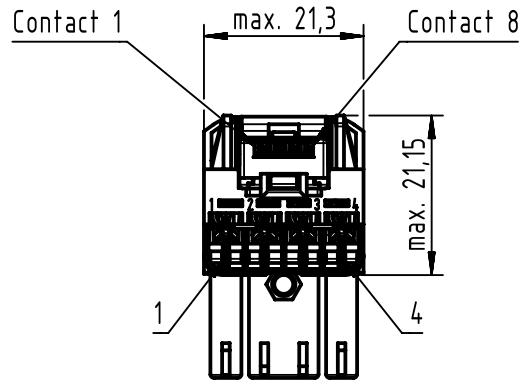


A



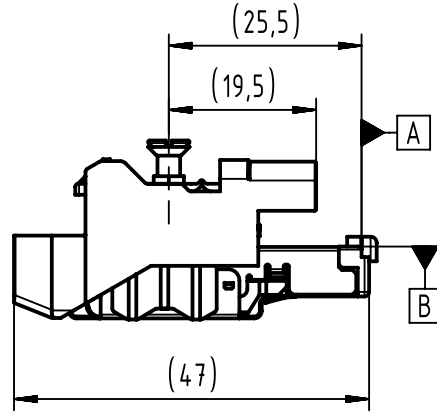
B



- For solid and stranded conductors AWG 27 up to AWG 22
- Max. wire diameter 1.5mm
- Cat.6 performance class EA suitable for 1/10 Gigabit Ethernet
- Temperature range -40°C up to +70°C
- 750 mating cycles

C

Han 3A adapter with closed lever:



D

	All rights reserved Department EC PD - RO	All Dimensions in mm Original Size DIN A4		Scale 1:1	Free size tol.	Ref.
		HARTING Electronics GmbH D-32339 Espelkamp	Created by TAMAS	Inspected by POPESCUD	Standardisation HOFFMANN	Date 2017-09-05
Title Han3A RJ45 Hybrid 10G insert 8+4p IDC						Doc-Key / ECM-Nr. 100191439/UGD/002/C 500000118331
Type TB				Number 09451001760		Rev. C
						Page 1/1