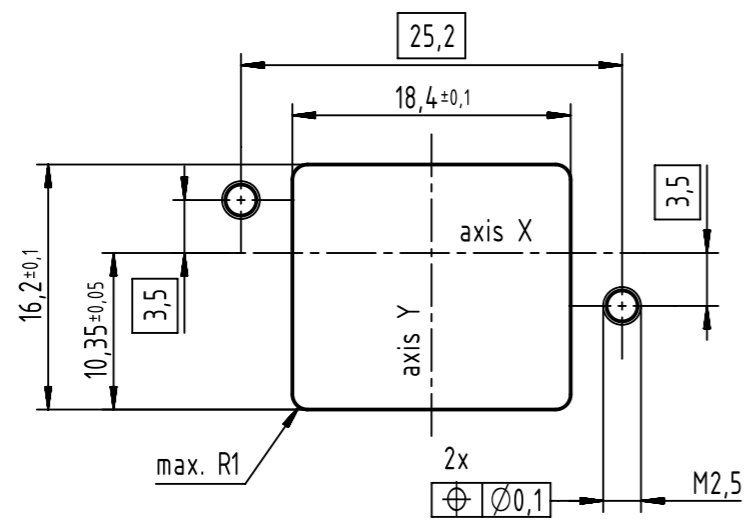
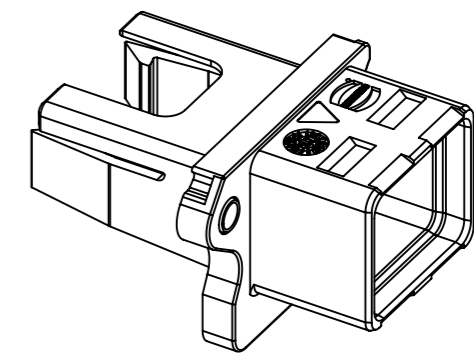
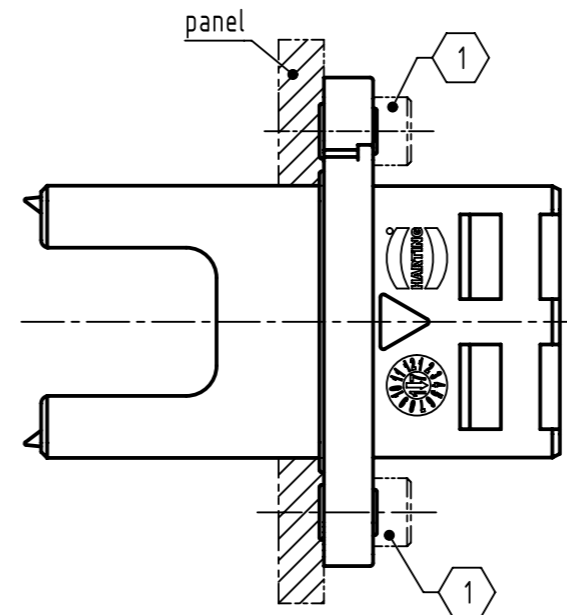


panel cutting



connector pitch on panel:
axis X = 27mm and axis Y = 21mm 2

panel thickness = max. 5.5mm



2 connector pitch with coding clip 0945840002X Y = 23mm

1 2x M2.5; screws acc. to ISO 4762;
please order separately; bolting torque 0.3Nm - 0.5Nm

| | | | | | | |
|---|--|--|-------------------------|-----------------------|--|--------------------|
| | All Dimensions in mm Original Size DIN A3 | | Scale 2:1 | Free size tol. | | Ref. |
| | All rights reserved Department EL PD | | Created by ELLERMANN | Inspected by ZWAHR | Standardisation KOHLER | Date 2018-05-30 |
| HARTING Electronics GmbH D-32339 Espelkamp | | Title HARTING PushPull V4 Compact Housing Power | | | Doc-Key / ECM-Nr. 100626924/UGD/003/C 500000135700 | |
| | | Type TB | Number 09455450042 | | Rev. C | Page 1/1 |