

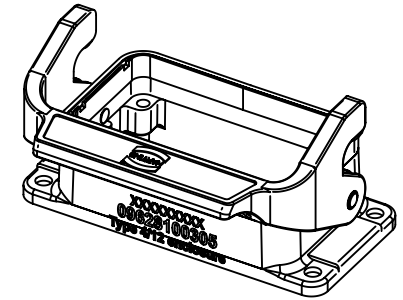
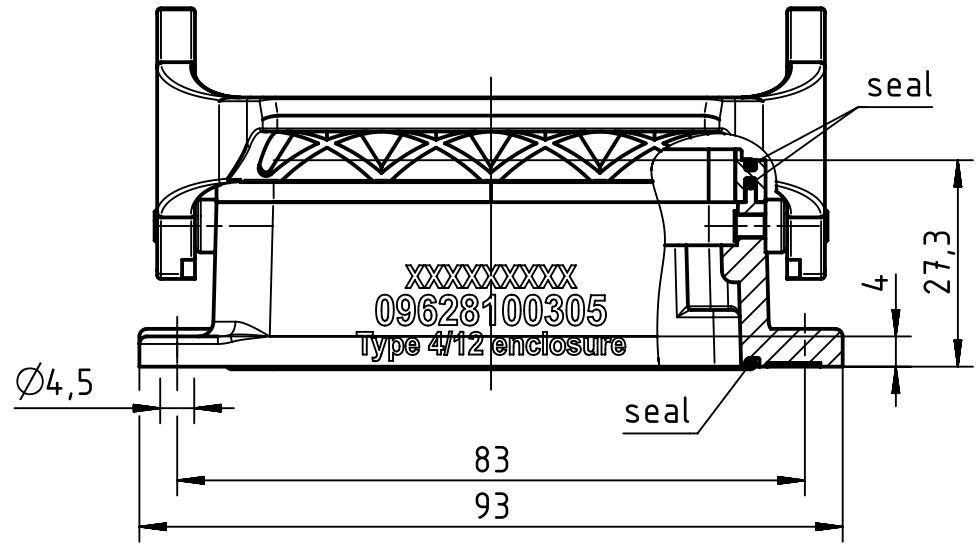
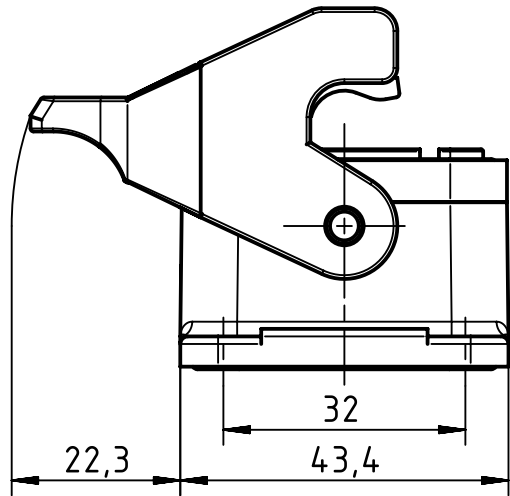
1 2 3 4 5 6

A

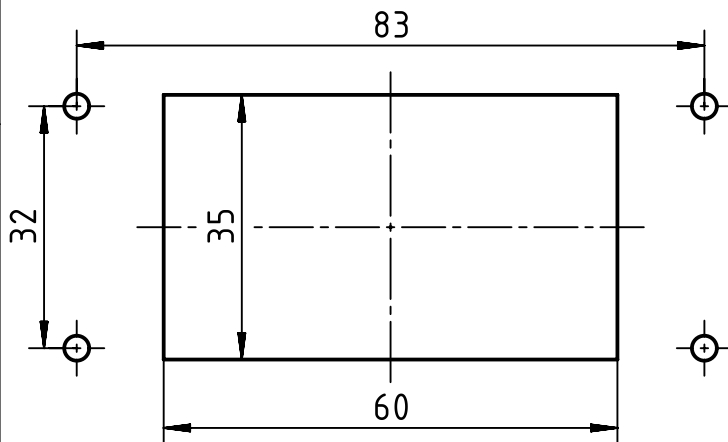
B

C

D



panel cut out



	All rights reserved Department EL PD	All Dimensions in mm Original Size DIN A4		Scale 1:1	Free size tol.	Ref.
		HARTING Electric GmbH & Co. KG D-32339 Espelkamp	Created by MEYERLE	Inspected by BERGHORN	Standardisation RUETERA	Date 2017-04-20
Title Han EMC/B 10 Base Panel						Doc-Key / ECM-Nr. 100181462/UGD/005/B 500000118250
Type TB		Number 09 62 810 0305				Rev. B
						Page 1/1