

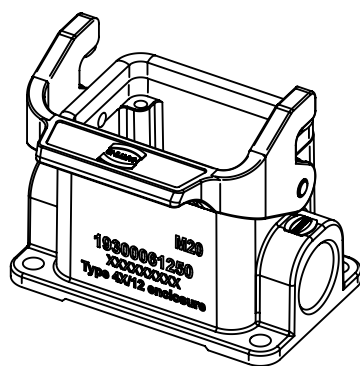
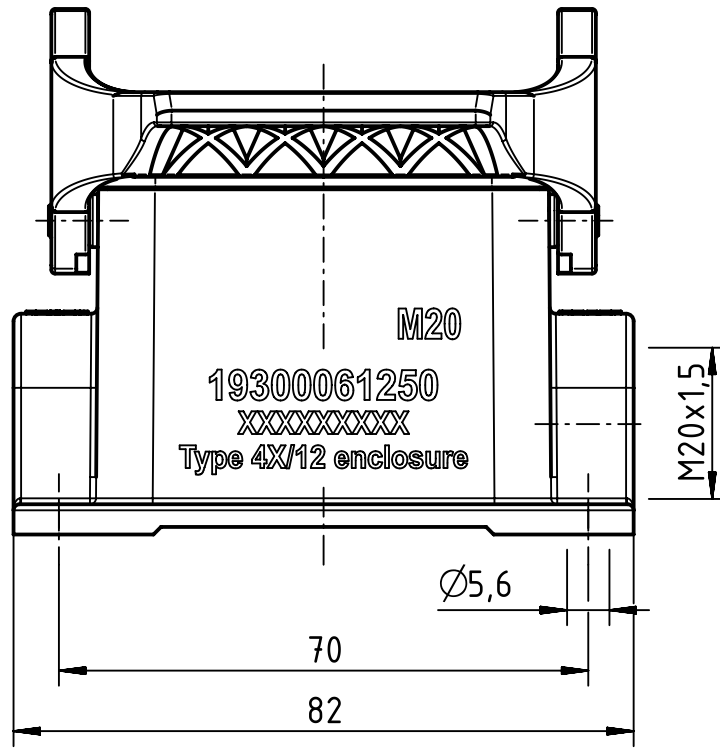
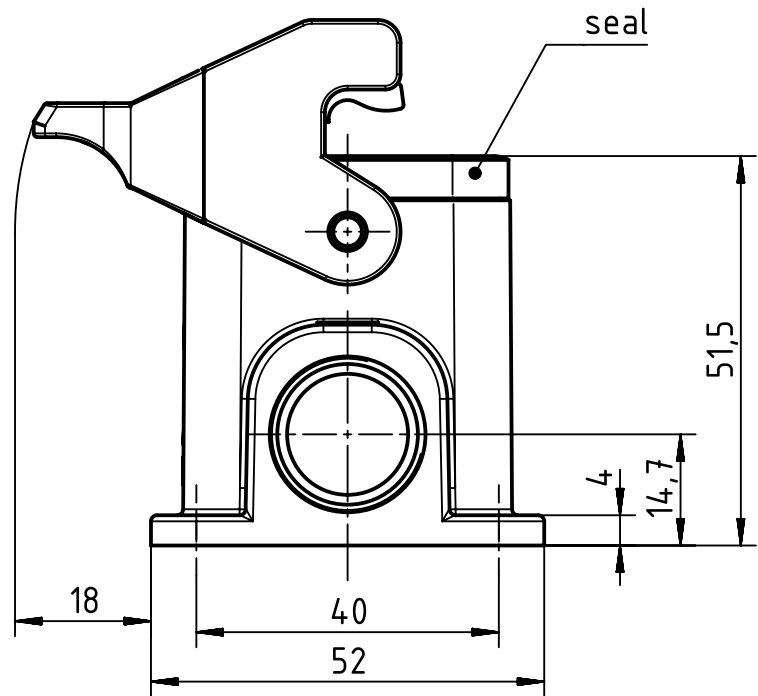
1 2 3 4 5 6

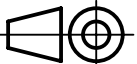

A

B

C

D



|   |   |   |              |  |                          |  |  |                        |
|---|---|---|--------------|--|--------------------------|--|--|------------------------|
|  | All Dimensions in mm<br>Original Size DIN A4  |   | Scale<br>1:1 | Free size tol.                                 |                          | Ref.<br>Sub. TB 19 30 006 1250 v. 15.11.00 |  |                        |
|   |  | All rights reserved<br>Department EL PD |              | Created by<br>RULLKOETTER                      | Inspected by<br>BERGHORN | Standardisation<br>TIEMANNA                | Date<br>2016-09-14                                       | State<br>Final Release |
| HARTING Electric GmbH & Co. KG<br>D-32339 Espelkamp                                 |   |   |              | Title<br>Han 6 B-Base Surface-LC 1 Lever 1xM20 |                          |  | Doc-Key / ECM-Nr.<br>100208689/UGD/005/B<br>500000108296 |                        |
|   |   |   |              | Type<br>TB                                     | Number<br>19 30 006 1250 |  | Rev.<br>B  | Page<br>1/1            |