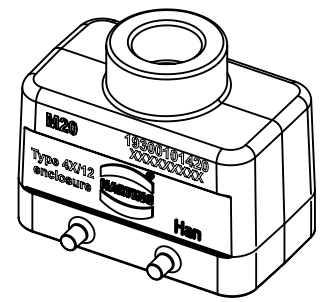
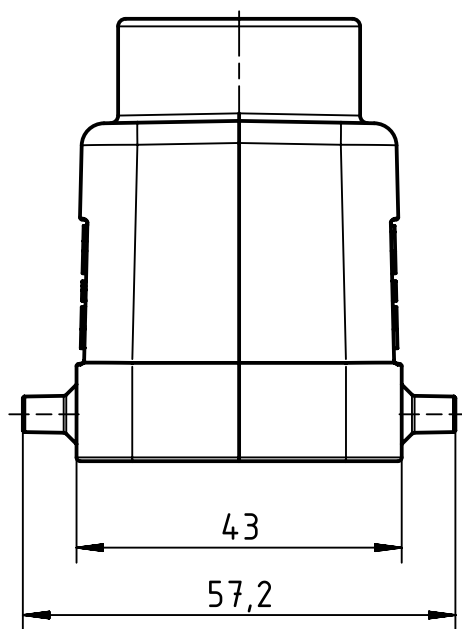
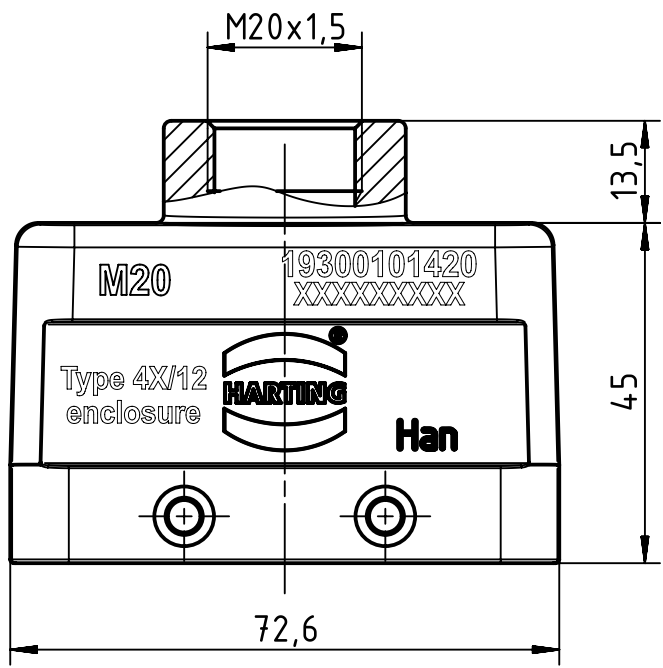


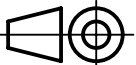

A

B

C

D



 All Dimensions in mm Original Size DIN A4	Scale	Free size tol.			Ref.
	1:1				Sub.
 All rights reserved Department EL PD	Created by	Inspected by	Standardisation	Date	State
	FINKEV	GERB	SCHMIDTM	2018-09-05	Final Release
HARTING Electric GmbH & Co. KG D-32339 Espelkamp	Title				Doc-Key / ECM-Nr. 100192233/UGD/004/C 500000138601
	Han B Hood Top Entry LC 4 Pegs M20				
Type		Number		Rev.	Page
TB		19 30 010 1420		C	1/1