

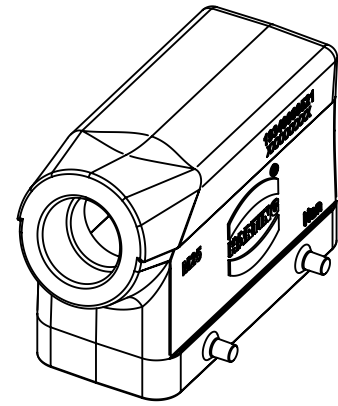
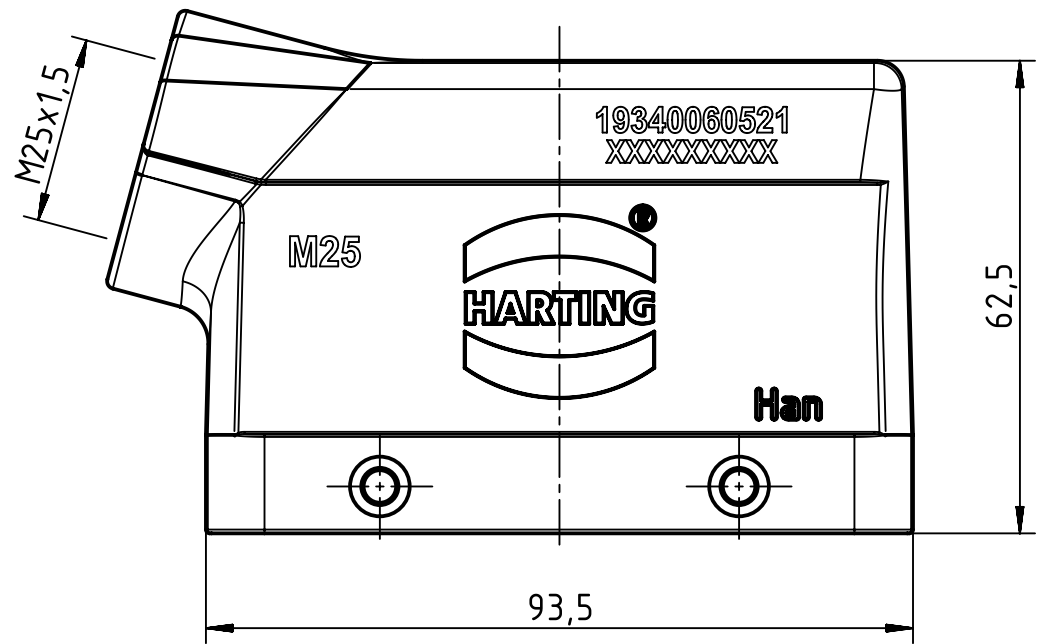
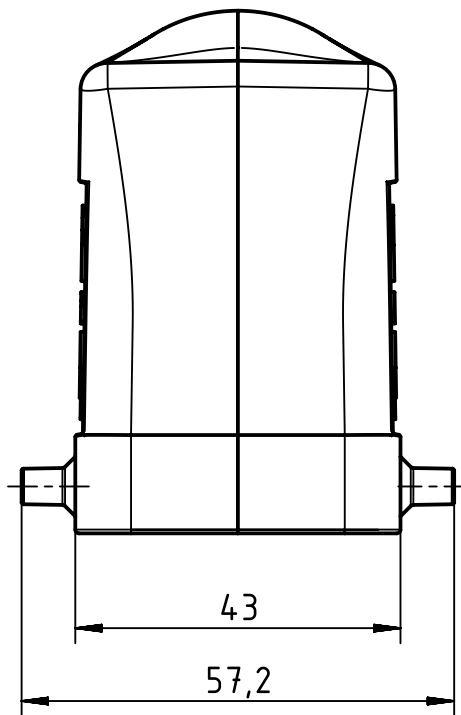
1 2 3 4 5 6

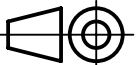

A

B

C

D



 All Dimensions in mm Original Size DIN A4	Scale	Free size tol.			Ref.	
	1:1				Sub.	
 All rights reserved Department EL PD	Created by	Inspected by	Standardisation	Date	State	
	RULLKOETTER	BERGHORN	TIEMANNA	2017-01-11	Final Release	
HARTING Electric GmbH & Co. KG D-32339 Espelkamp	Title				Doc-Key / ECM-Nr.	
	Han 6HvE-gs-M25				100091511/UGD/005/C 500000113502	
Type		Number			Rev.	Page
TB		19 34 006 0521			C	1/1