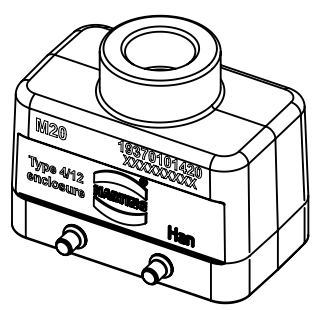
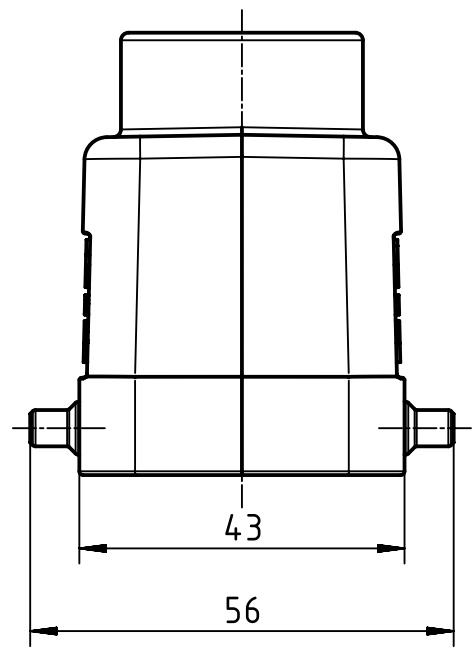
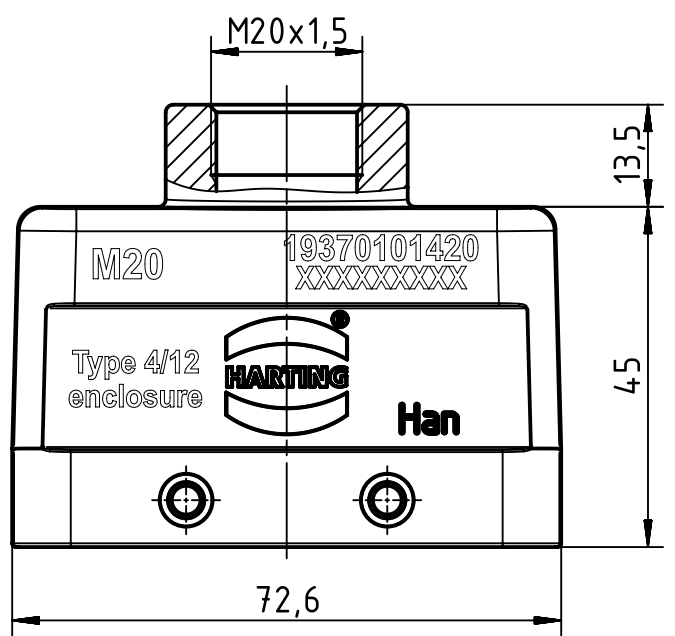


1 2 3 4 5 6

A  
B  
C  
D



	All Dimensions in mm Original Size DIN A4		Scale 1:1	Free size tol.		Ref.		
						Sub.		
	All rights reserved		Created by FINKEV	Inspected by GERB	Standardisation SCHMIDTM	Date 2018-09-05	State Final Release	
	Department EL PD		Title Han 10M-gg-M20				Doc-Key / ECM-Nr. 100192198/UGD/004/D 500000138601	
HARTING Electric GmbH & Co. KG D-32339 Espelkamp			Type TB	Number 19 37 010 1420			Rev. D	Page 1/1