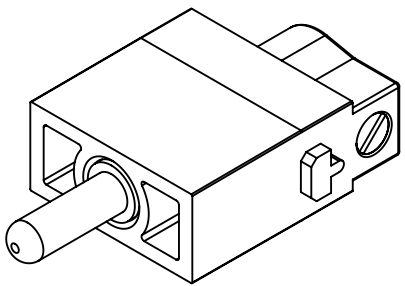
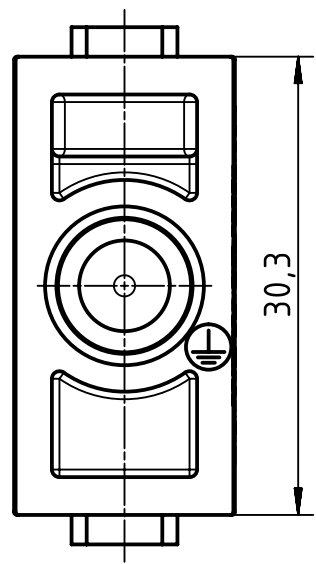
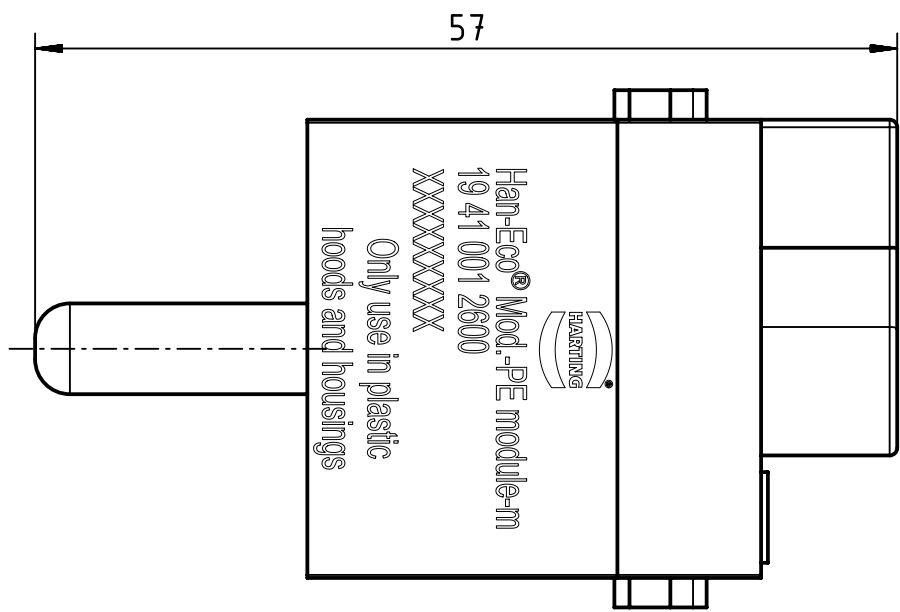
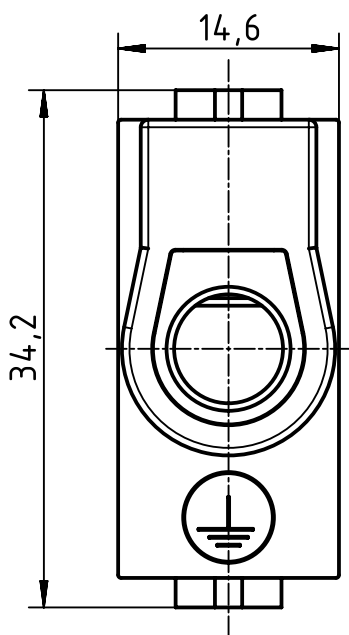


1                      2                      3                      4                      5                      6



	All Dimensions in mm Original Size DIN A4	Scale 2:1		Free size tol.		Ref.	
						Sub.	
	All rights reserved Department EL PD	Created by HELLMANN	Inspected by BERGHORN	Standardisation TIEMANNA	Date 2018-10-05	State Final Release	
		Title Han-Eco Mod.-PE module-m 16-6 AWG					Doc-Key / ECM-Nr. 100186331/UGD/005/B 50000014.0494
HARTING Electric GmbH & Co. KG D-32339 Espelkamp		Type TB	Number 19 41 001 2600			Rev. B	Page 1/1