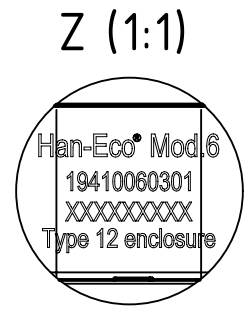
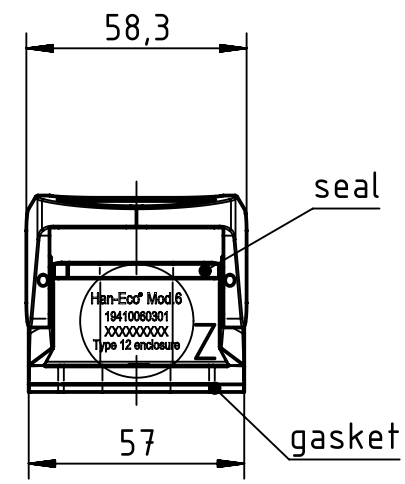
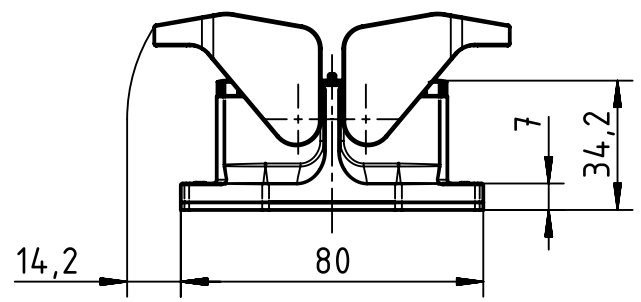
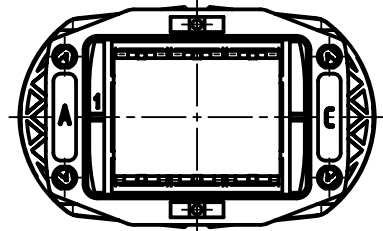
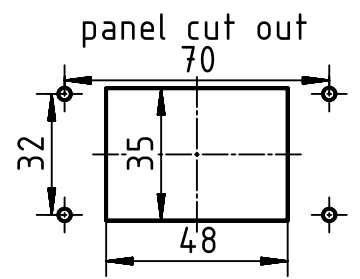
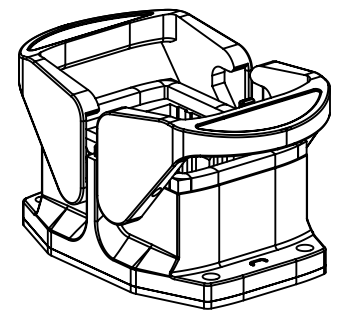
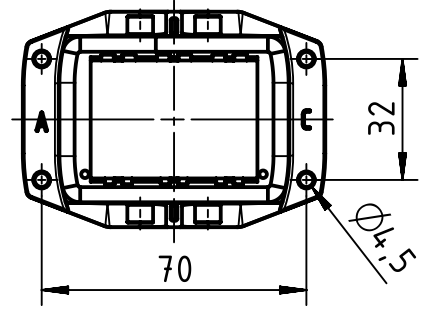


view without gasket



view without lever



	All rights reserved Department EL PD HARTING Electric GmbH & Co. KG D-32339 Espelkamp	All Dimensions in mm Original Size DIN A4		Scale 1:2	Free size tol.	Ref. Sub. 19 41 006 0301 v.14.02.12	
		Created by SPRENB	Inspected by BERGHORN	Standardisation SCHMIDTM	Date 2018-07-04	State Final Release	
Title Han-Eco Mod.6-HBM						Doc-Key / ECM-Nr. 100186482/UGD/009/B 500000137180	
Type TB				Number 19 41 006 0301		Rev. B	Page 1/1